

TC-W550/W551


SERVICE MANUAL

TC-W550/TC-W551
US Model

TC-W550
Canadian Model
AEP Model



Photo: TC-W550

Dolby noise reduction manufactured under license from Dolby Laboratories Licensing Corporation. "DOLBY" and the double-D symbol  are trademarks of Dolby Laboratories Licensing Corporation.


SPECIFICATIONS

Recording system 4-track 2-channel stereo
Fast-winding time
Approx. 90 sec. (with C-60 cassette)
Bias frequency 105 kHz
Signal-to-noise ratio (NAB, at peak level)


Cassette	Dolby NR switch		
	OFF	B-TYPE ON	C-TYPE ON
TYPE IV (Sony METAL-ES)	58 dB	65 dB	71 dB
TYPE II (Sony UX-S)	57 dB	64 dB	70 dB
TYPE I (Sony HF-S)	54 dB	61 dB	67 dB

Total harmonic distortion
1.0% (with Sony METAL-ES cassette)

SAFETY-RELATED COMPONENT WARNING!!

COMPONENTS IDENTIFIED BY SHADING AND MARK  ON THE SCHEMATIC DIAGRAMS AND IN THE PARTS LIST ARE CRITICAL TO SAFE OPERATION. REPLACE THESE COMPONENTS WITH SONY PARTS WHOSE PART NUMBERS APPEAR AS SHOWN IN THIS MANUAL OR IN SUPPLEMENTS PUBLISHED BY SONY.

ATTENTION AU COMPOSANT AYANT RAPPORT À LA SÉCURITÉ!

LES COMPOSANTS IDENTIFIÉS PAR UNE TRAME ET UNE MARQUE  SUR LES DIAGRAMMES SCHEMATIQUES ET LA LISTE DES PIÈCES SONT CRITIQUES POUR LA SÉCURITÉ DE FONCTIONNEMENT. NE REMPLACER CES COMPOSANTS QUE PAR DES PIÈCES SONY DONT LES NUMÉROS SONT DONNÉS DANS CE MANUEL OU DANS LES SUPPLÉMENTS PUBLIÉS PAR SONY.



Model Name Using Similar Mechanism	DECK A: TC-W530
	DECK B: TC-W530
Tape Transport Mechanism Type	DECK A: TCM-CMAY, A-4
	DECK B: TCM-CMAY, B-11

Frequency response (DOLBY NR OFF)

TYPE IV cassette (Sony METAL-ES)	30 - 15,000 Hz (±3 dB) (DIN) 30 - 13,000 Hz (±3 dB, 0VU recording)
TYPE II cassette (Sony UX-S)	30 - 15,000 Hz (±3 dB) (DIN)
TYPE I cassette (Sony HF-S)	30 - 14,000 Hz (±3 dB) (DIN)

Wow and flutter 0.07% WRMS (NAB) ±0.2% (DIN)

Inputs/Outputs

Line inputs (phono jacks)	Sensitivity Input impedance	77.5 mV (-20 dB) 50 kilohms
Line outputs (phono jacks)	Rated output level	0.44 V (-5 dB) at load impedance 47 kilohms
	Load impedance	Over 10 kilohms
Headphones output (stereo phone jack)	Output level	-28 dB at load impedance 8 ohms

0 dB = 0.775 V

- Continued on page 2 -

STEREO CASSETTE DECK
SONY[®]

TC

TC-W550/W551

General

Power requirements

US, Canadian model:
120 V AC, 60 Hz

AEP model:
220 V AC, 50/60 Hz

Dimensions

Approx. 430 x 130 x 275 mm (w/h/d)
(17 x 5¹/₈ x 10⁷/₈ inches)

including projecting parts and controls

Weight

Approx. 4.9 kg (10 lbs 13 oz)

Supplied accessories

Connecting cord (2)

Remote control cord (1)

Optional accessory

Wireless remote control unit RM-88

FEATURES

Double decks

The unit consists of two decks: deck A for playback and deck B for recording/playback.

Two-speed dubbing

Normal speed for dubbing while monitoring the selections.
High speed for dubbing the whole cassette in a short time.

Edit functions

By pausing the decks manually while dubbing, you can search for any portion to be dubbed with the rightward/leftward fast winding.

Type B and C Dolby noise reduction* system

Reduces tape hiss noise in low level high frequency signals.

Other features

- Relay playback for long hours
- Synchronized recording with a turntable system (for TC-W551)
- Record muting
- Handy remote control operation (with the optional Sony RM-88 remote control unit)


* Dolby noise reduction manufactured under license from Dolby Laboratories Licensing Corporation.
"DOLBY" and the double-D  are trademarks of Dolby Laboratories Licensing Corporation.

Table of Contents

<u>Section</u>	<u>Title</u>	<u>Page</u>
SECTION 1	OUTLINE	3
1-1.	LOCATION AND FUNCTION OF CONTROLS	3
1-2.	IC501 (M50742-404) PIN FUNCTIONS	6
1-3.	BLOCK DIAGRAM	9
SECTION 2	DISASSEMBLY	11
SECTION 3	ADJUSTMENTS	13
3-1.	MECHANICAL ADJUSTMENTS	13
3-2.	ELECTRICAL ADJUSTMENTS	14
SECTION 4	CIRCUIT BOARDS LOCATION	18
SECTION 5	DIAGRAMS	19
5-1.	MOUNTING DIAGRAM	19
5-2.	SCHEMATIC DIAGRAM	23
SECTION 6	EXPLODED VIEWS AND PARTS LISTS	29
SECTION 7	ELECTRICAL PARTS LIST	34
SECTION 8	TROUBLESHOOTING	41

SECTION 1
OUTLINE

1-1. LOCATION AND FUNCTION OF CONTROLS

FRONT PANEL

SAFETY CHECK-OUT (US Model)

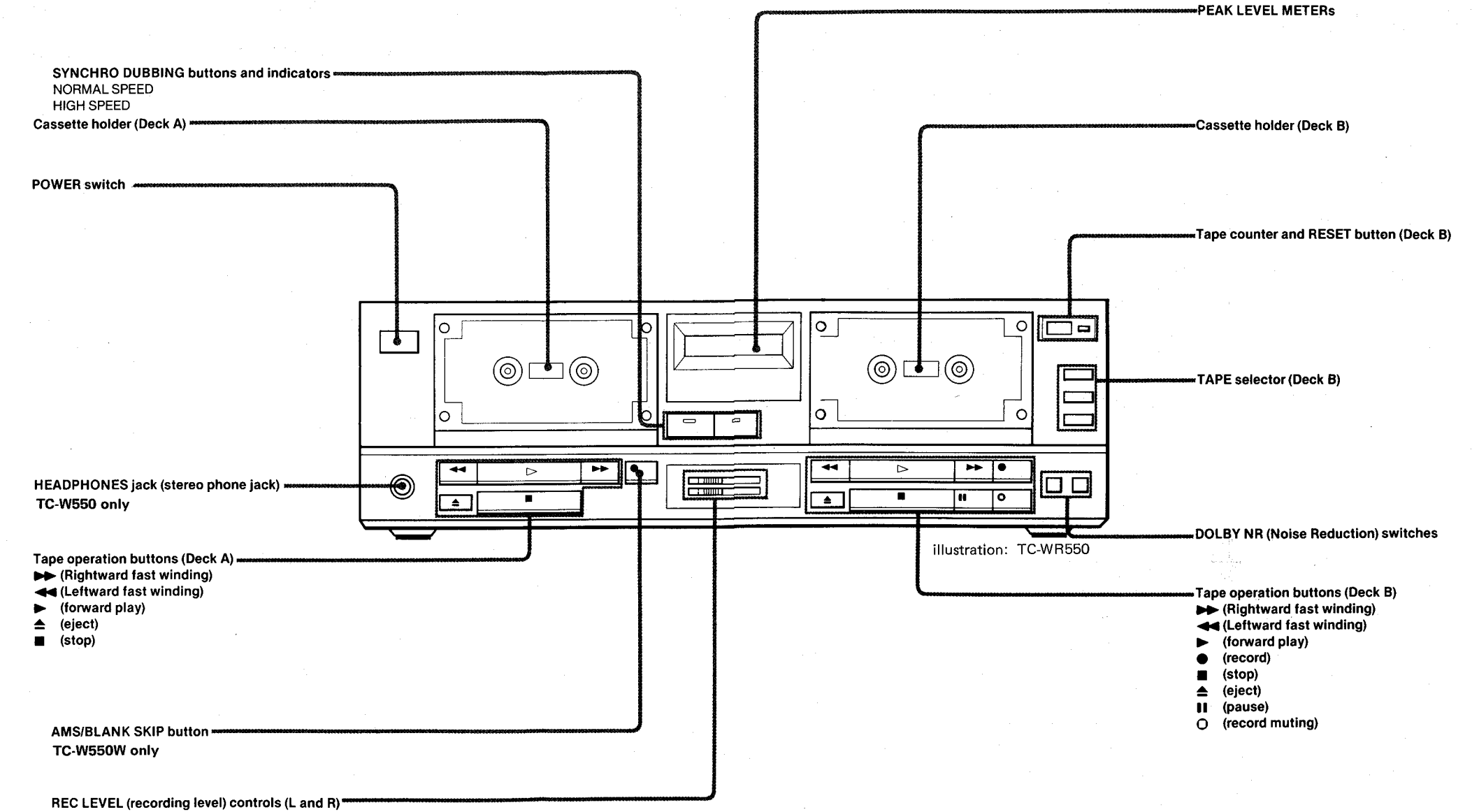
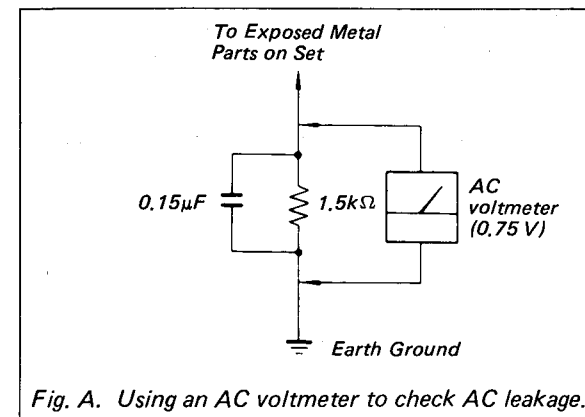
After correcting the original service problem, perform the following safety check before releasing the set to the customer:

Check the antenna terminals, metal trim, "metallized" knobs, screws, and all other exposed metal parts for AC leakage. Check leakage as described below.

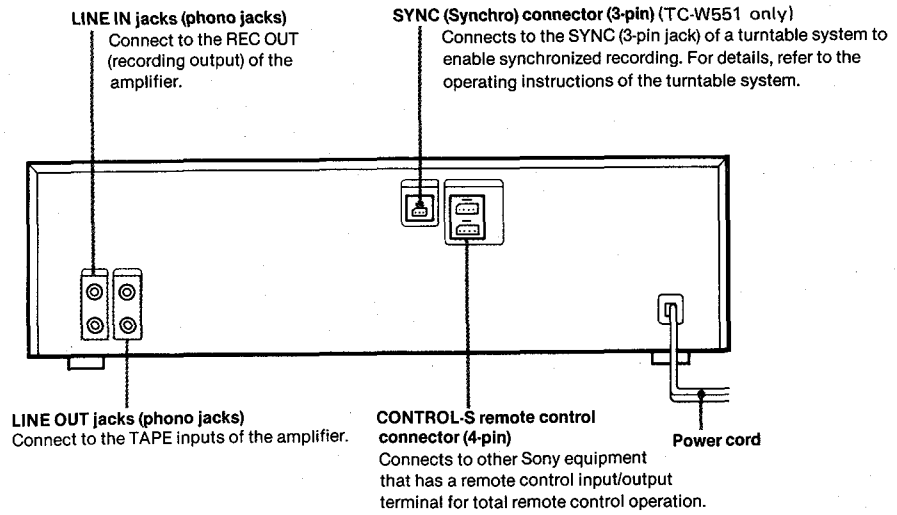
LEAKAGE TEST

The AC leakage from any exposed metal part to earth ground and from all exposed metal parts to any exposed metal part having a return to chassis, must not exceed 0.5 mA (500 microamperes). Leakage current can be measured by any one of three methods.

1. A commercial leakage tester, such as the Simpson 229 or RCA WT-540A. Follow the manufacturers' instructions to use these instruments.
2. A battery-operated AC milliammeter. The Data Precision 245 digital multimeter is suitable for this job.
3. Measuring the voltage drop across a resistor by means of a VOM or battery-operated AC voltmeter. The "limit" indication is 0.75 V, so analog meters must have an accurate low-voltage scale. The Simpson 250 and Sanwa SH-63Trd are examples of a passive VOM that is suitable. Nearly all battery operated digital multimeters that have a 2 V AC range are suitable. (See Fig. A)



REAR PANEL

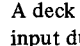




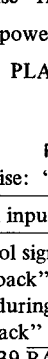


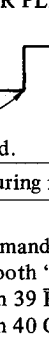

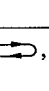




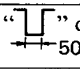
1-2. IC501 (M50742-404) PIN FUNCTIONS

IC501 (M50742-404) is a 4 bit microcomputer which controls the mechanism, does key input and LED display.

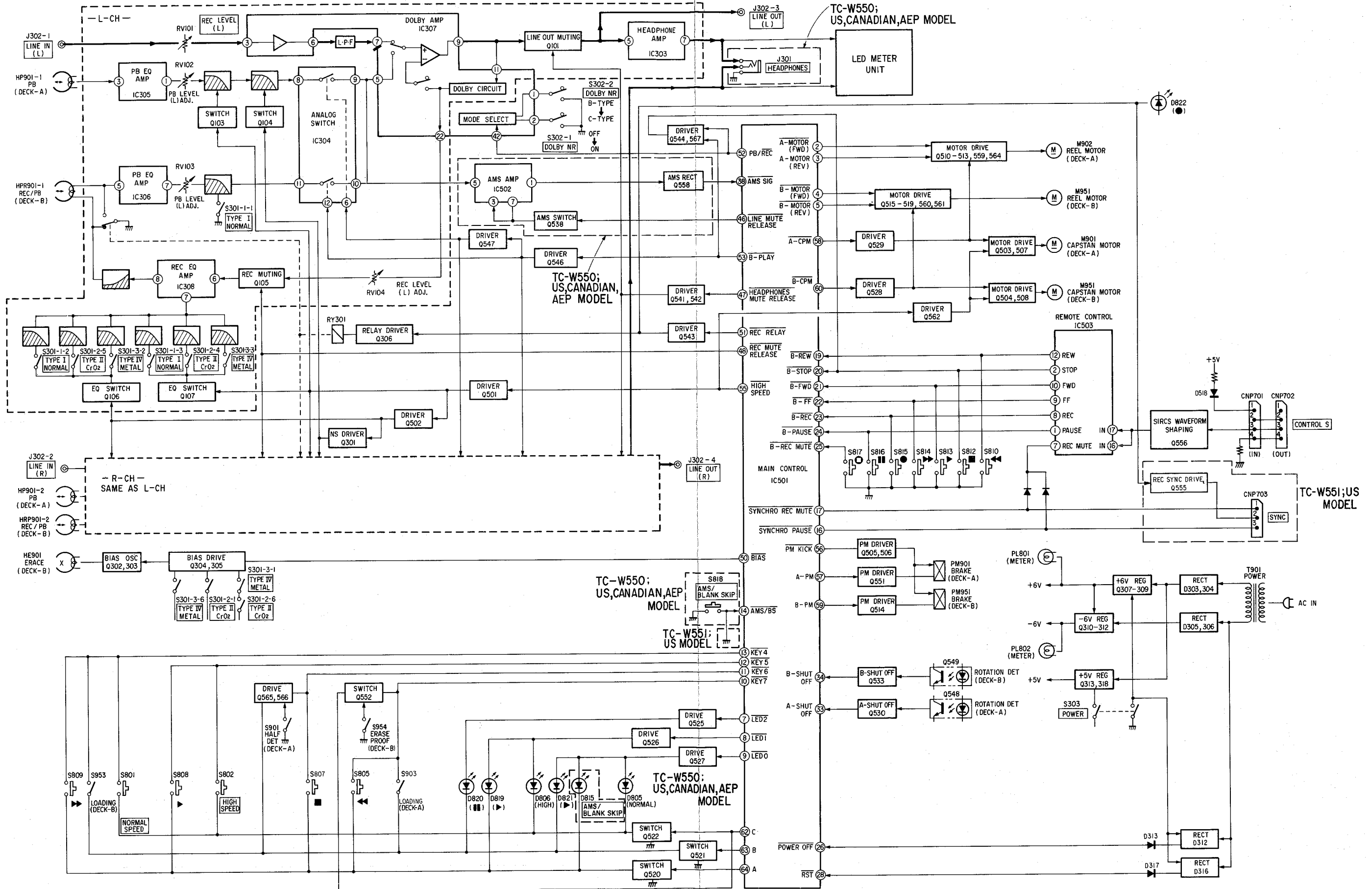
The pin functions, key matrix and LED matrix descriptions follow.

Pin No.	Pin Name	I/O	Function
1	VDD	-	Power supply pin.
2	$\overline{\text{A-MOTOR (FWD)}}$	O	A deck reel motor (FWD) drive output pin. "L" when A deck reel motor rotates FWD, otherwise "H".
3	$\overline{\text{A-MOTOR (REV)}}$	O	A deck reel motor (REV) drive output pin. "L" when A deck reel motor rotates reverse, otherwise "H".
4	$\overline{\text{B-MOTOR (FWD)}}$	O	B deck reel motor (FWD) drive output pin. "L" when B deck reel motor rotates FWD, otherwise "H".
5	$\overline{\text{B-MOTOR (REV)}}$	O	B deck reel motor (REV) drive output pin. "L" when B deck reel motor rotates reverse, otherwise "H".
6	LED3	O	Anode side output pins to dynamically light up LED. Not used.
7	LED2		
8	LED1		
9	LED0		
10	KEY7	I	Key matrix key return signal input pins.
11	KEY6		
12	KEY5		
13	KEY4		
14	AMS/BS	I	AMS/BS (blank skip) key input pin.
15	TC STOP	I	Direct function stop signal input pin. "L" when amp function is at "TAPE", "H" otherwise. When "H" is input during playback, stop occurs, but not during recording. Not used.
16	$\overline{\text{SYNCHRO-II}}$	I	Synchro pause release signal input pin. "L" when synchro pause release signal is input; otherwise "H". Only accepted when B deck is in recording mute or recording pause. Not used.
17	$\overline{\text{SYNCHRO-O}}$	I	Synchro recording mute signal input pin. "L" when synchro recording mute signal is input; otherwise "H". Only accepted during B deck recording. If 16 $\overline{\text{SYNCHRO-II}}$ and 17 $\overline{\text{SYNCHRO-O}}$ above both input "L" at the same time, remote control AMS/O input is judged, and during recording, recording mute operation results.
18	$\overline{\text{B-◀}}$	I	B deck ◀ key input pin. Not used.
19	$\overline{\text{B-◀◀}}$	I	B deck ◀◀ key input pin.
20	$\overline{\text{B-■}}$	I	B deck ■ key input pin.
21	$\overline{\text{B-▶}}$	I	B deck ▶ key input pin.
22	$\overline{\text{B-▶▶}}$	I	B deck ▶▶ key input pin.
23	$\overline{\text{B-●}}$	I	B deck ● key input pin.
24	$\overline{\text{B-II}}$	I	B deck II key input pin.
25	$\overline{\text{B-O}}$	I	B deck O key input pin.
26	$\overline{\text{POWER OFF}}$	I	Power detection pin. "H" is input for power ON and "L" for power OFF. For power OFF when head is up, the head is lowered immediately.
27	GND	-	Ground pin.
28	$\overline{\text{RST}}$	I	External reset signal input pin. Reset operation is performed for "L" level input.

Pin No.	Pin Name	I/O	Function
29	XI	I	Clock oscillation pins. (3.58 MHz on this model.)
30	XO	O	
31	CLK	O	Timing signal output pin. Supplies 895 kHz clock to RMS controller. Not used.
32	GND	-	Ground pin.
33	A-SHUT OFF	I	<ul style="list-style-type: none"> A deck reel table rotation signal input pin. When a pulse () is input during A deck PB, FF, FR and "H" continues for 2 seconds during PB or 0.5 seconds during FF or FR, shut off occurs. During power ON Switching input pin for 1 direction/2 direction playback. <p>1 direction playback: </p> <p>POWER ON</p> <p>2 direction playback: "H"</p>
34	B-SHUT OFF	I	B deck reel table rotation signal input pin. When a pulse () is input during B deck PB, recording, FF, FR and "H" continues for 2 seconds during PB or recording or for 0.5 seconds during FF or FR, shut off occurs.
35	\bar{Q}	I	B deck leader tape sensor (quick sensor) signal input pin. At leader tape: "L" At magnetic coating: "H" When "L" is input during B deck playback or recording, B deck reverses rotation. However, only operates for from FWD to REV direction. Also, does not operate for 8 seconds from the start of FWD.
36	 /TIMER REC	I	<ul style="list-style-type: none"> Direction mode switching signal input pin. When direction mode is , "L", otherwise "H". During power ON TIMER REC signal input pin. <p>TIMER REC: </p> <p>POWER ON</p> <p>Otherwise: "H" Not used.</p>
37	 /TIMER PLAY	I	<ul style="list-style-type: none"> Direction mode switching signal input pin. "L" when direction mode is , otherwise "H". During power ON TIMER PLAY signal input pin. <p>TIMER PLAY: </p> <p>POWER ON</p> <p>Otherwise: "H" Not used.</p>
38	AMS SIG	I	AMS signal input pin. "H" during recorded portion, "L" during blank.
39	BACK	I	RMS control signal input pin. Receives "back" or "go" commands from RMS controller during RMS. Both "H" during RMS OFF, both "L" when RMS is set, then after pin 41 REQ output, for "back" command, pin 39 BACK: "L", pin 40 GO: "H". For "go" command, pin 39 BACK: "H", pin 40 GO: "L" are input from RMS controller. Not used.
40	GO		
41	REQ	O	Output pin for request signal to RMS controller. Outputs "L" to receive command from RMS controller during RMS. Not used.
42	TIMER	O	"L" for two seconds only after reset (0.8 seconds), otherwise "H". 
43	TC FUNCTION	O	Direct function signal output pin. "  " when A deck and B deck  or  key is ON, otherwise "H". Not used.

Pin No.	Pin Name	I/O	Function
44	SIRCS MUTE	O	Remote control prohibit signal output pin. "L" during dubbing so that remote control can not operate. Otherwise "H".
45	A-PLAY MONITOR	O	A deck playback monitor signal output pin. "L" during A deck playback to inform RMS controller of playback. "H" at other times. Not used.
46	LINE MUTE RELEASE	O	Line muting release signal output pin. "L" for A deck, B deck playback and during dubbing, "H" at other times.
47	H.P MUTE RELEASE	O	Headphone, line output meter muting release signal output pin. "L" for A deck playback, B deck playback and recording, and dubbing; otherwise "H".
48	REC MUTE RELEASE	O	Recording muting release signal output pin. "L" during B deck recording and dubbing, otherwise "H".
49	A-RMS MONITOR	O	A deck RMS monitor signal output pin. "L" during RMS operation to inform RMS controller of RMS operation. Not used.
50	BIAS	O	Recording bias oscillation control signal output pin. "L" during B deck recording and dubbing, otherwise "H".
51	REC RELAY	O	Relay control signal output pin. "L" when B deck ● (REC) key, HIGH SPEED DUBBING key or NORMAL SPEED DUBBING key is ON, otherwise "H".
52	PB/REC	O	Playback/recording switching signal output pin. "L" when B deck ● (REC) key is ON, otherwise "H".
53	B-PLAY	O	A deck/B deck switching signal output pin. "L" during B deck playback, otherwise "H".
54	A-PLAY	O	A deck/B deck switching signal output pin. "L" during A deck playback; otherwise "H". Not used.
55	HIGH SPEED	O	Normal speed dubbing/high speed dubbing switching signal output pin. "L" for high speed dubbing, otherwise "H".
56	PM-KICK	O	Plunger solenoid kick signal output pin.  during plunger solenoid kick, otherwise "H".
57	A-PM	O	A deck plunger solenoid control signal output pin. "H" when A deck plunger solenoid is ON, otherwise "L".
58	A-CPM	O	A deck capstan motor control signal output pin. "L" when A deck capstan motor is ON, otherwise "H". This output is used to lower reel motor torque.
59	B-PM	O	B deck plunger solenoid control signal output pin. "H" when B deck plunger solenoid is ON, otherwise "L".
60	B-CPM	O	B deck capstan motor control signal output pin. "L" when B deck capstan motor is ON, otherwise "H". This output is used to lower reel motor torque.
61 62 63 64	D C B A	O	Key matrix signal source output and cathode side output for dynamic lighting of LED.

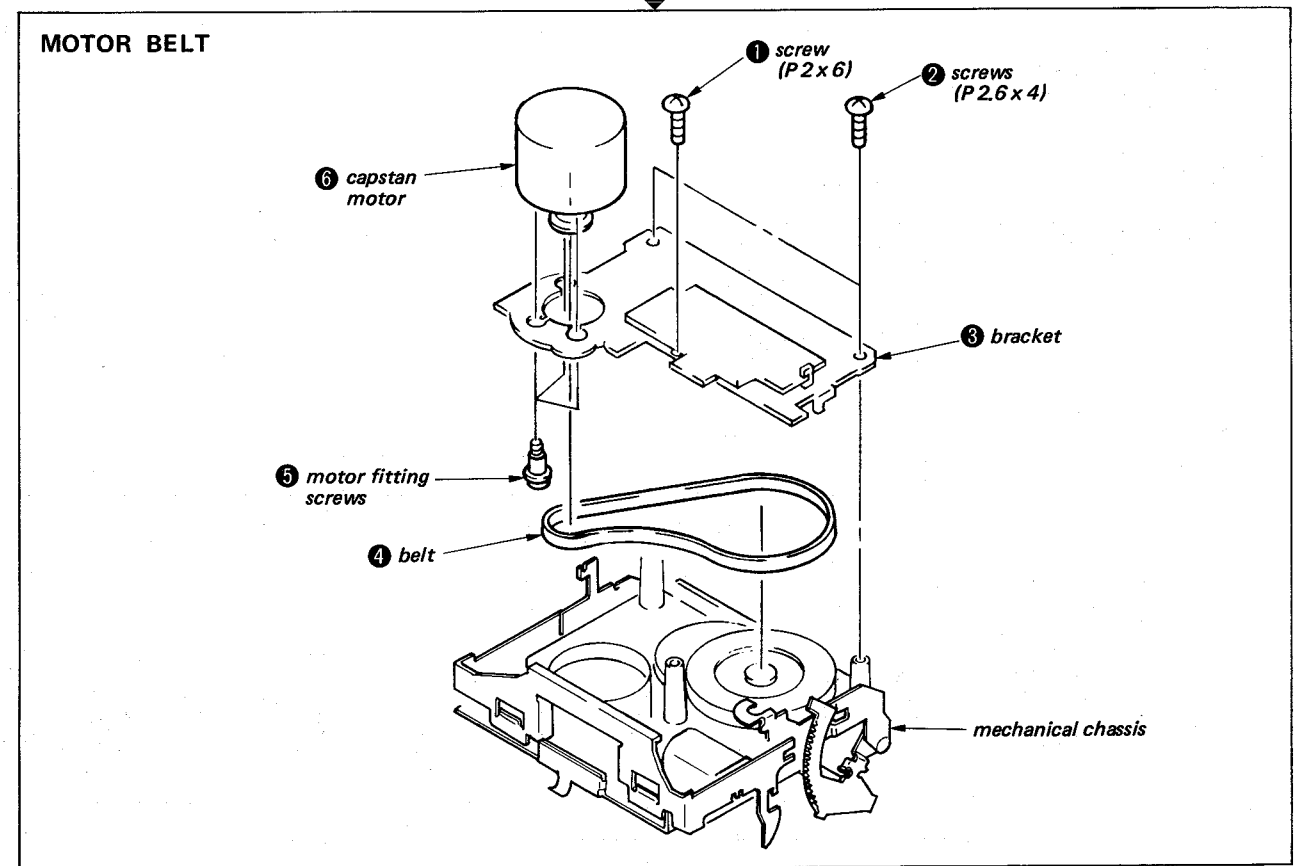
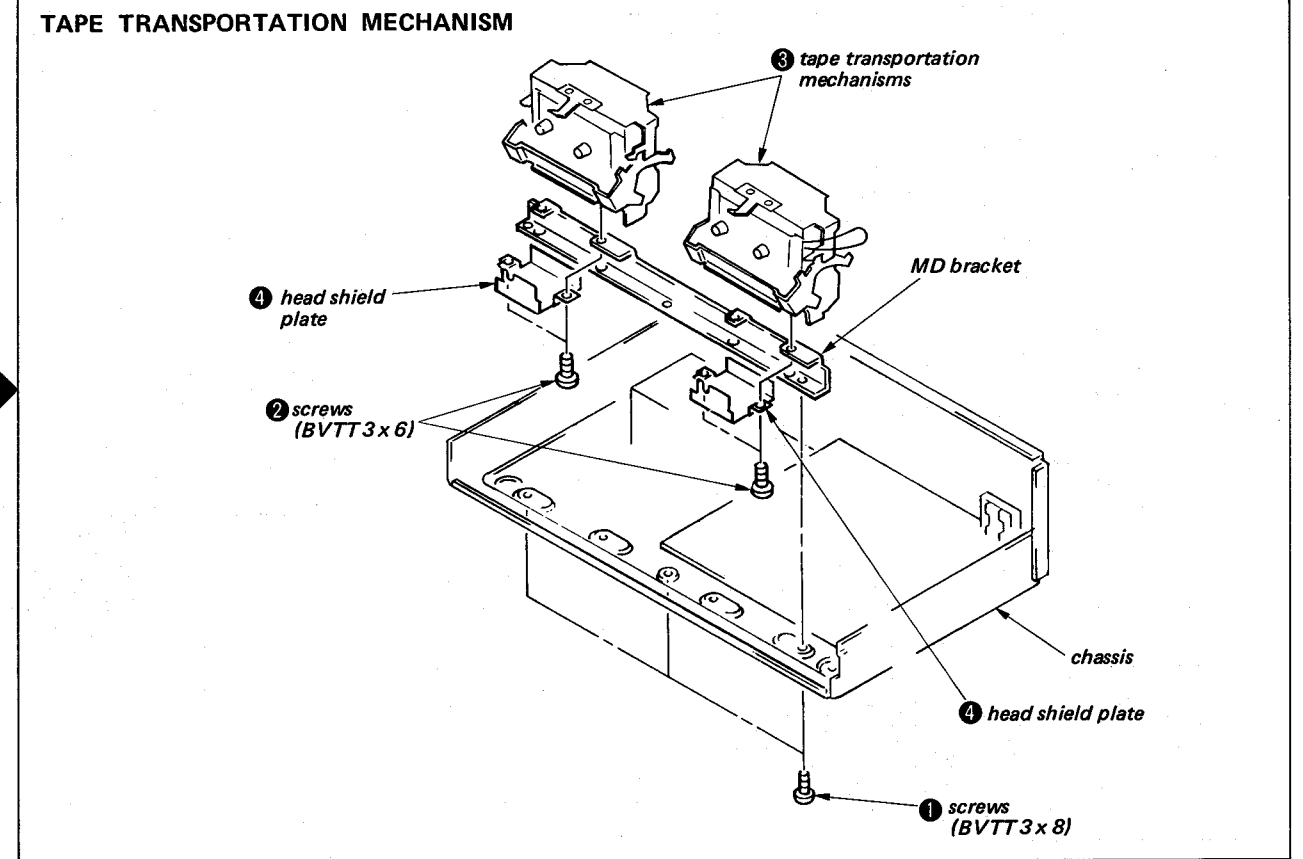
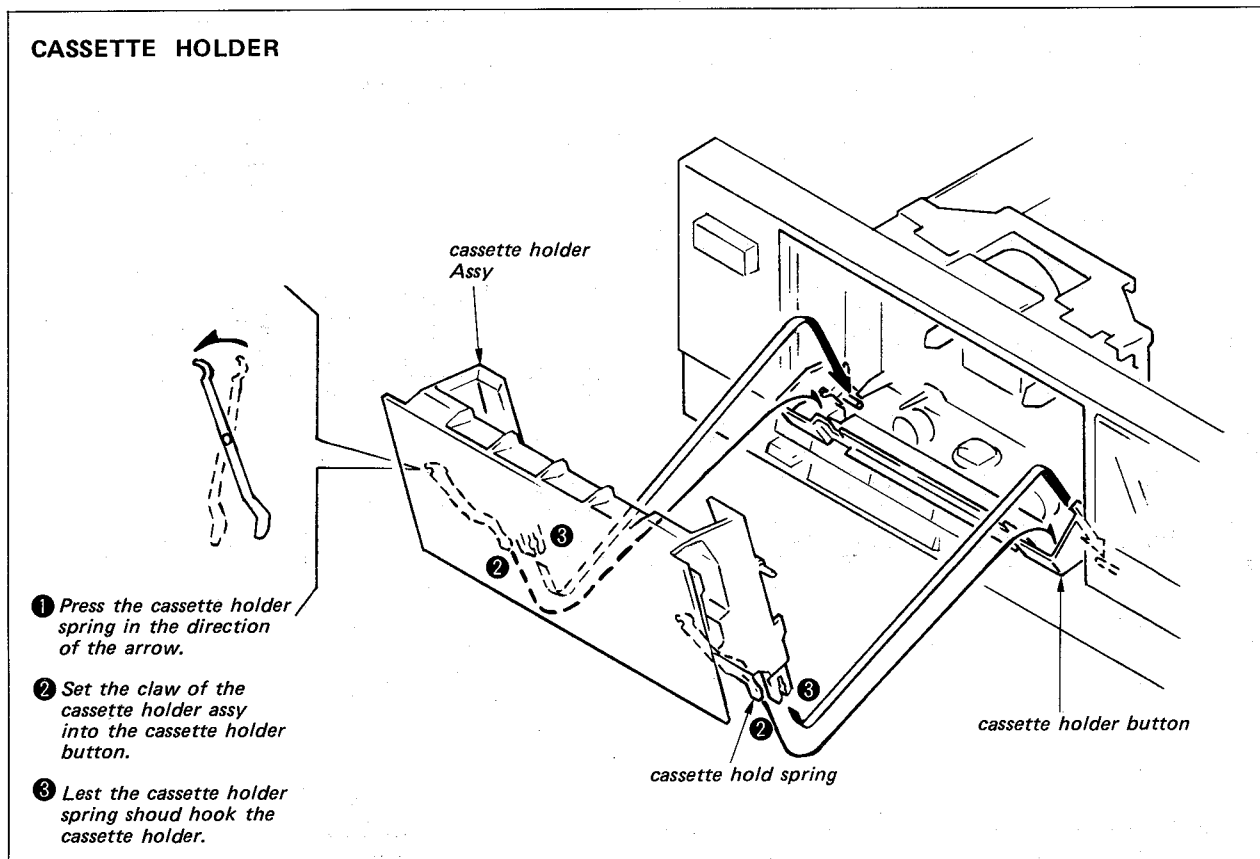
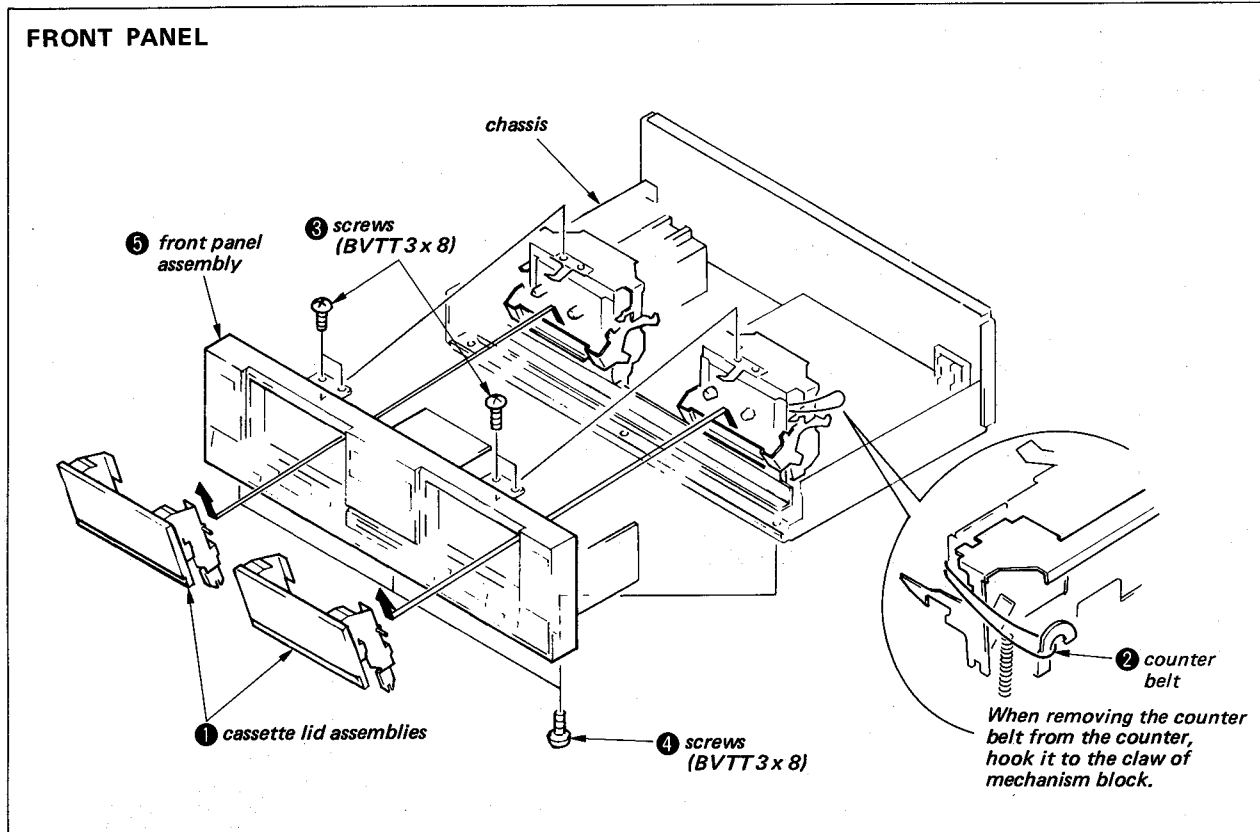
1-3. BLOCK DIAGRAM



SECTION 2
DISASSEMBLY

2-1. DISASSEMBLY

Note: Follow the disassembly procedure in the numerical order given.



SECTION 3 ADJUSTMENTS

3-1. MECHANICAL ADJUSTMENTS

PRECAUTION

1. Clean the following parts with a denatured-alcohol-moistened swab:

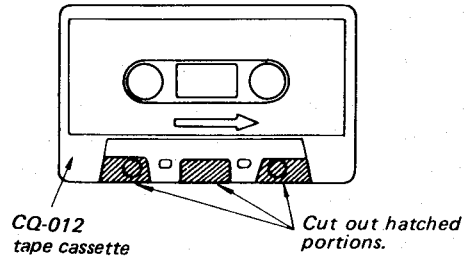
record/playback head	pinch roller
erase head	rubber belts
capstan	idlers
2. Demagnetize the record/playback head with a head demagnetizer. (Do not bring the head demagnetizer close to the erase head.)
3. Do not use a magnetized screwdriver for the adjustments.
4. After the adjustments, apply suitable locking compound to the parts adjusted.
5. The adjustments should be performed with the rated power supply voltage unless otherwise noted.

Torque Measurement

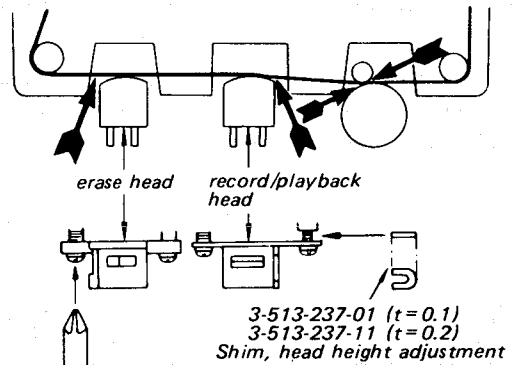
Torque	Torque meter	Meter reading
FWD	CQ-102C	25 to 75 g·cm (0.35 to 1.04 oz·inch)
FWD Back tension	CQ-102C	1 to 10 g·cm (0.014 to 0.14 oz·inch)
FF, REW	CQ-201B	80 to 180 g·cm (1.11 to 2.5 oz·inch)

Head Height Adjustment

1. Prepare an adjustment cassette as shown below.



2. In playback mode and viewing from the front, adjust the head heights to eliminate tape curl and tape twist at portions of arrow.



3-2. ELECTRICAL ADJUSTMENTS

1. Demagnetize the record/playback head with a head demagnetizer. (Do not bring the head demagnetizer close to the erase head.)
2. Do not use a magnetized screwdriver for the adjustments.
3. After the adjustments, apply suitable locking compound to the parts adjusted.
4. The adjustments should be performed with the rated power supply voltage unless otherwise noted.
5. The adjustments should be performed in the order given in this service manual. (As a general rule, playback circuit adjustment should be completed before performing recording circuit adjustment.)
6. The adjustments should be performed for both L-CH and R-CH.

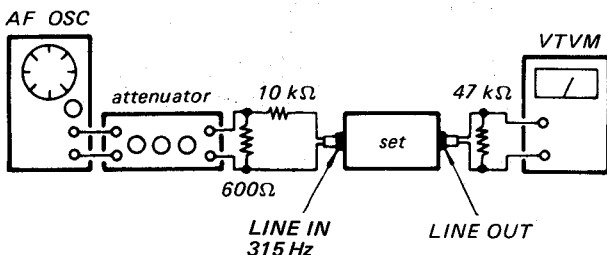
- Switches and controls should be set as follows unless otherwise specified.

DOLBY NR switch: OFF
 SYNCHRO DUBBING switch: NORMAL SPEED
 TAPE SELECT switch: TYPE I (DECK B)

- Standard Record:

Deliver the standard input signal level to the input jack and set the REC LEVEL control to obtain the standard output signal level.

Mode: record



Standard Input Level

	LINE IN
source impedance	10 kΩ
input level	0.25 V (-10 dB)

Standard Output Level

	LINE OUT
load impedance	47 kΩ
output level	0.44 V (-5 dB)

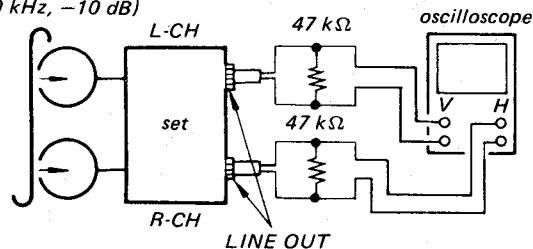
Record/Playback Head Azimuth Adjustment DECK A

DECK B

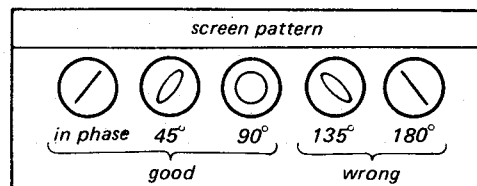
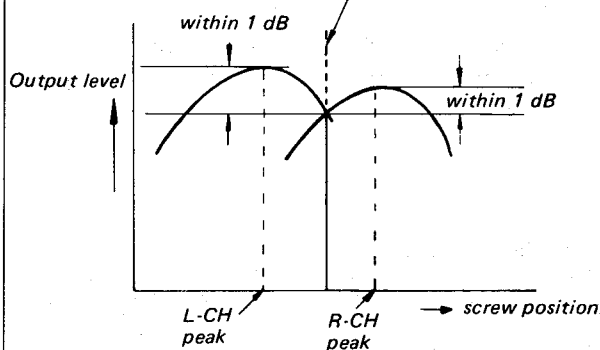
Procedure:

1. Mode: playback

test tape
 P-4-A 100
 (10 kHz, -10 dB)



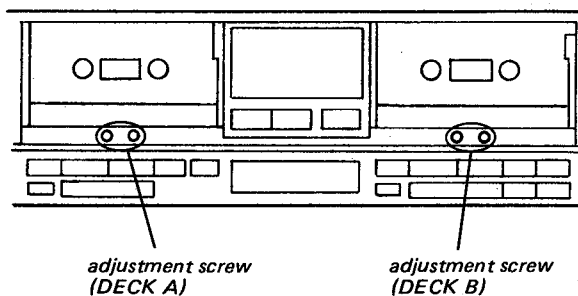
2. Turn the adjustment screw and check output peaks. If the peaks do not match for L-CH and R-CH, turn the adjustment screw so that outputs match within 1 dB of peak.



3. After the adjustment finishing with tightening direction, lock the adjustment screw with locking compound.

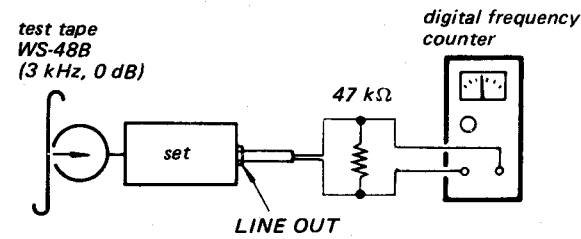
4. After the locking compound dried out, reassemble the function switch block.

Adjustment Location:



Tape Speed Adjustment DECK A DECK B

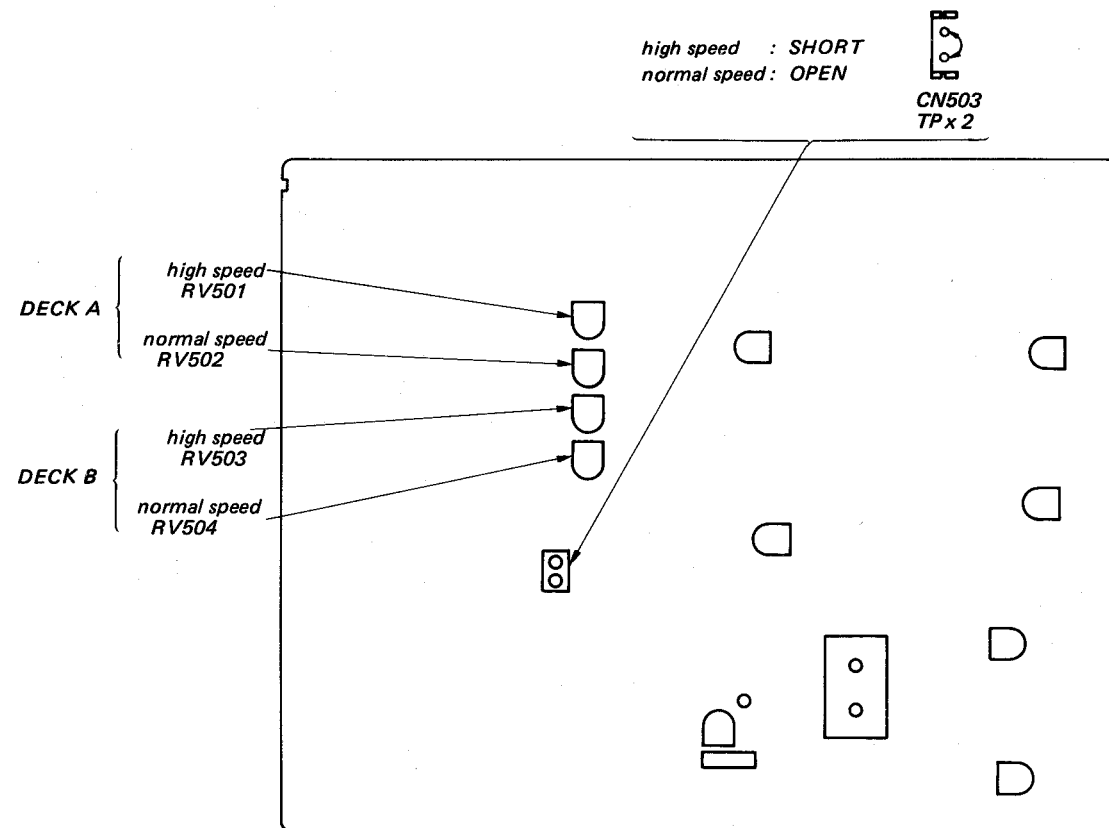
Procedure:
Mode: playback



Specifications:

	Adjustment part		Test pin (TP x2)	Digital frequency counter
High speed	Deck A	RV501	SHORT	5960 to 6040 Hz
	Deck B	RV503		
Normal speed	Deck A	RV502	OPEN	2980 to 3020 Hz
	Deck B	RV504		

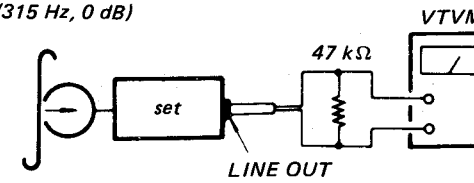
Adjustment Location: audio board



Playback Level Adjustment DECK A DECK B

Procedure:
Mode: playback

test tape
P-4-L300
(315 Hz, 0 dB)

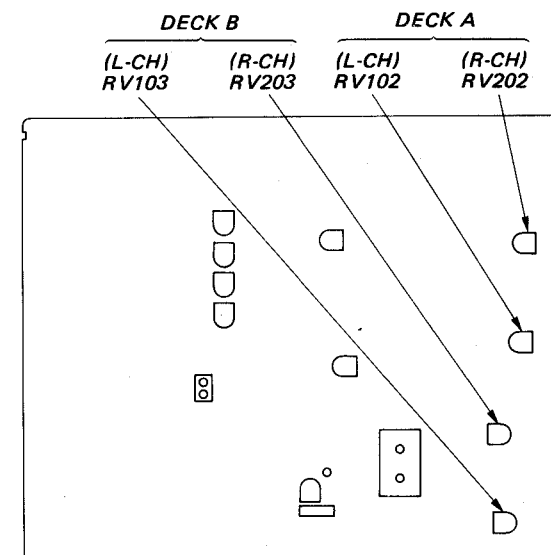


Adjust,
DECK-A side RV102 (L-CH), RV202 (R-CH)
DECK-B side RV103 (L-CH), RV203 (R-CH)
so that the specifications are satisfied.

Specification:

LINE OUT level: 0.41 to 0.46 V
(-5.5 to -4.5 dB)
level difference between the channels:
within 0.5 dB
Confirm that LINE OUT level is not changed when
Playback and Stop are repeated.

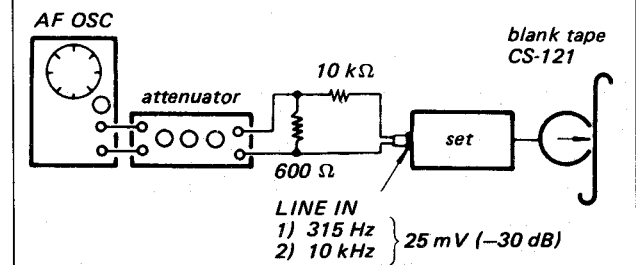
Adjustment Location: audio board



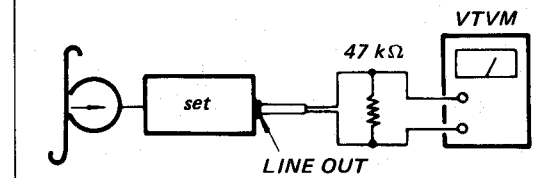
Record BIAS Adjustment DECK B

Setting:
REC LEVEL control: standard record
(See page 14.)

Procedure:
1. Mode: record



2. Mode: playback

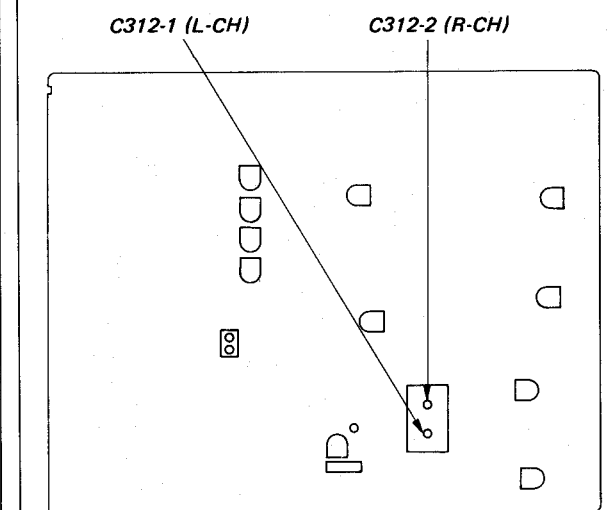


Play back the tape recorded in step 1. If the specification is not satisfied, adjust CT312-1 (L-CH), CT312-2 (R-CH) and repeat steps 1 and 2.

Specification:

The LINE OUT level of 10 kHz signal relative to that of 315 Hz: -0.5 dB to +0.5 dB.

Adjustment Location: audio board



SECTION 4
CIRCUIT BOARDS LOCATION

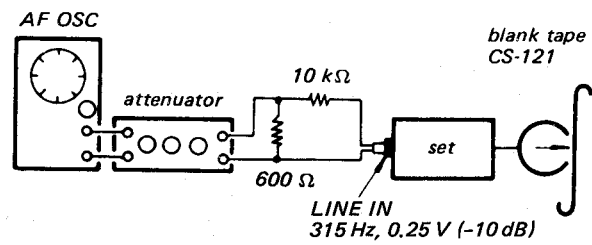
Record Level Adjustment **DECK B**

Setting:

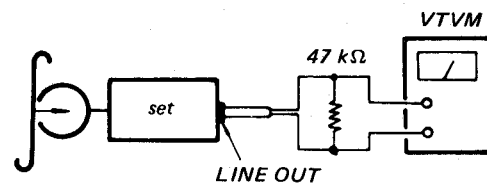
REC LEVEL control: standard record
(See page 14.)

Procedure:

1. Mode: record



2. Mode: playback

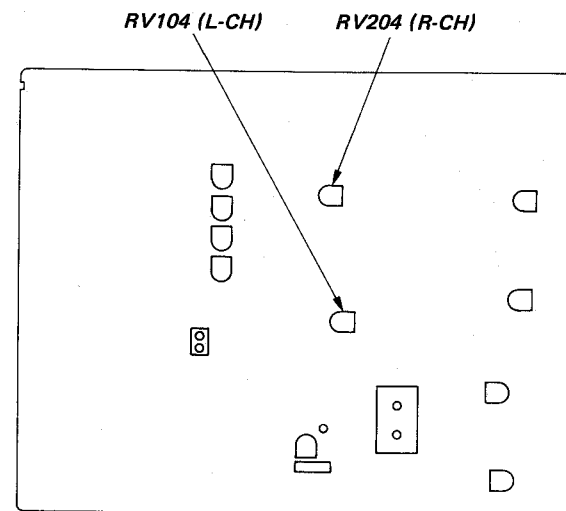


Play back the tape recorded in step 1. If the specification is not satisfied, adjust RV104 (L-CH), RV204 (R-CH) and repeat steps 1 and 2.

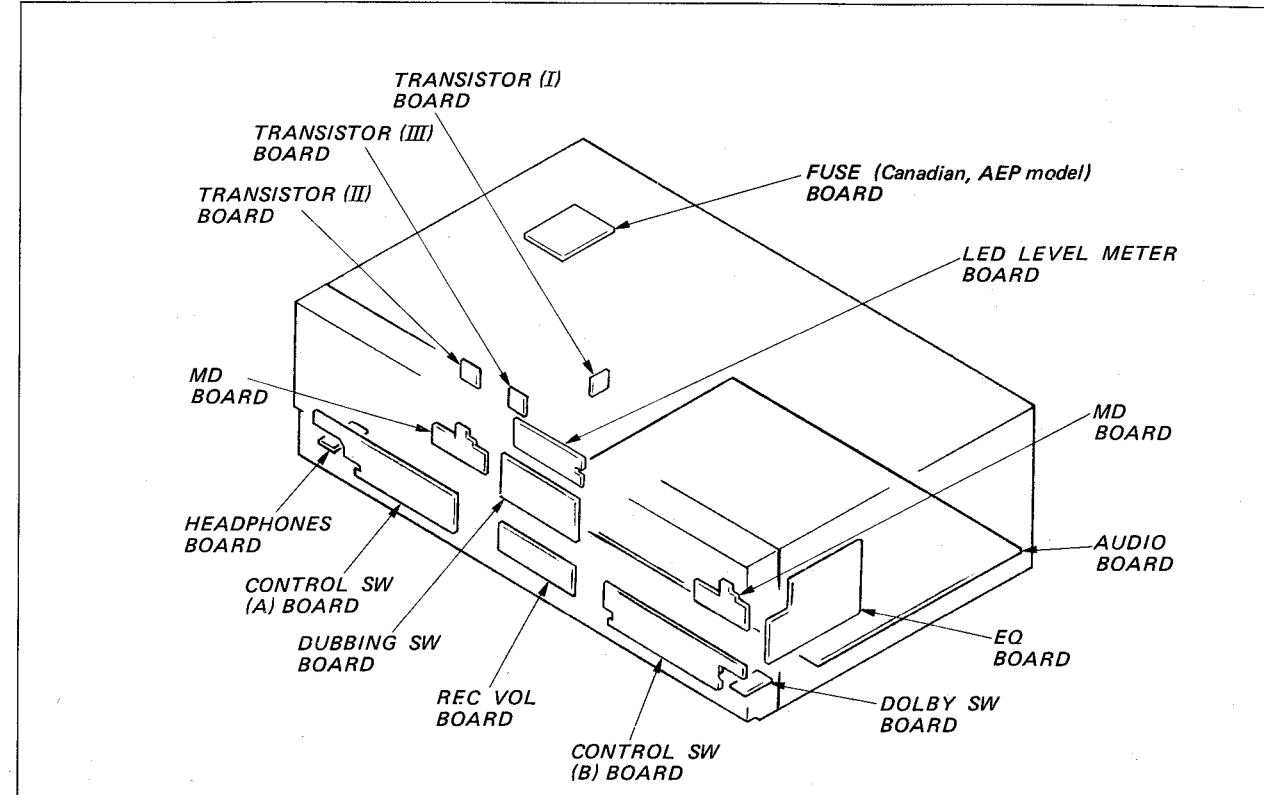
Specification:

LINE OUT level: 0.41 to 0.46 V
(-5.5 to -4.5 dB)

Adjustment Location: audio board



4-1. CIRCUIT BOARDS LOCATION



• SEMICONDUCTOR LEAD LAYOUTS

<p>CX20187</p> <p>(Top view)</p>	<p>M5076-417P M5076-417P</p> <p>(Top view)</p>	<p>2SA1348 2SC634SP 2SC3399 2SC3402</p>	<p>2SB1094L 2SD1406</p>	<p>SEL2510C MPG3877S MAY3877S MPR3877S</p>
<p>CXD1017Q</p>	<p>M5218L</p>	<p>2SA1175 2SC2785-E</p>	<p>2SB734</p>	<p>MVR4868K</p>
<p>M4066BP</p> <p>(Top view)</p>	<p>SEL2210W-C</p>	<p>CXA4559P μPC4570C-1</p> <p>(Top view)</p>	<p>1SS132 10E2N HZ4CLL HZ6C3L</p>	<p>IR2E02</p> <p>(Top view)</p>
<p>M50742-404SP</p> <p>(Top view)</p>	<p>μPC4570HA</p>	<p>2SB1014 2SC2120Y 2SD1388</p>	<p>1SS202-1</p>	<p>MPG3877S MPR3877S</p>

SECTION 5 DIAGRAMS

5-1. MOUNTING DIAGRAM — Conductor Side —

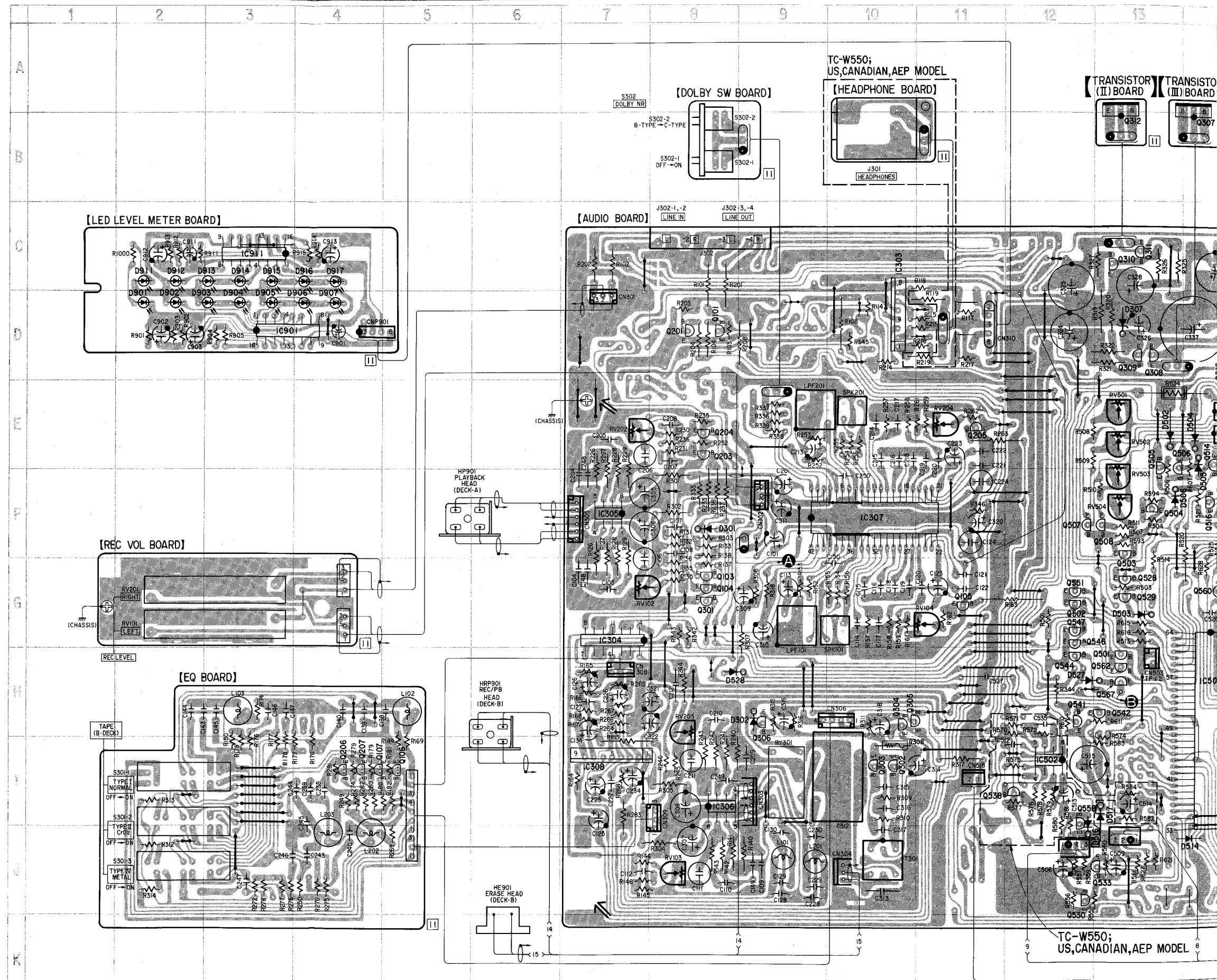
• See page 18 for semiconductor Lead Layouts and Circuit Boards Location.

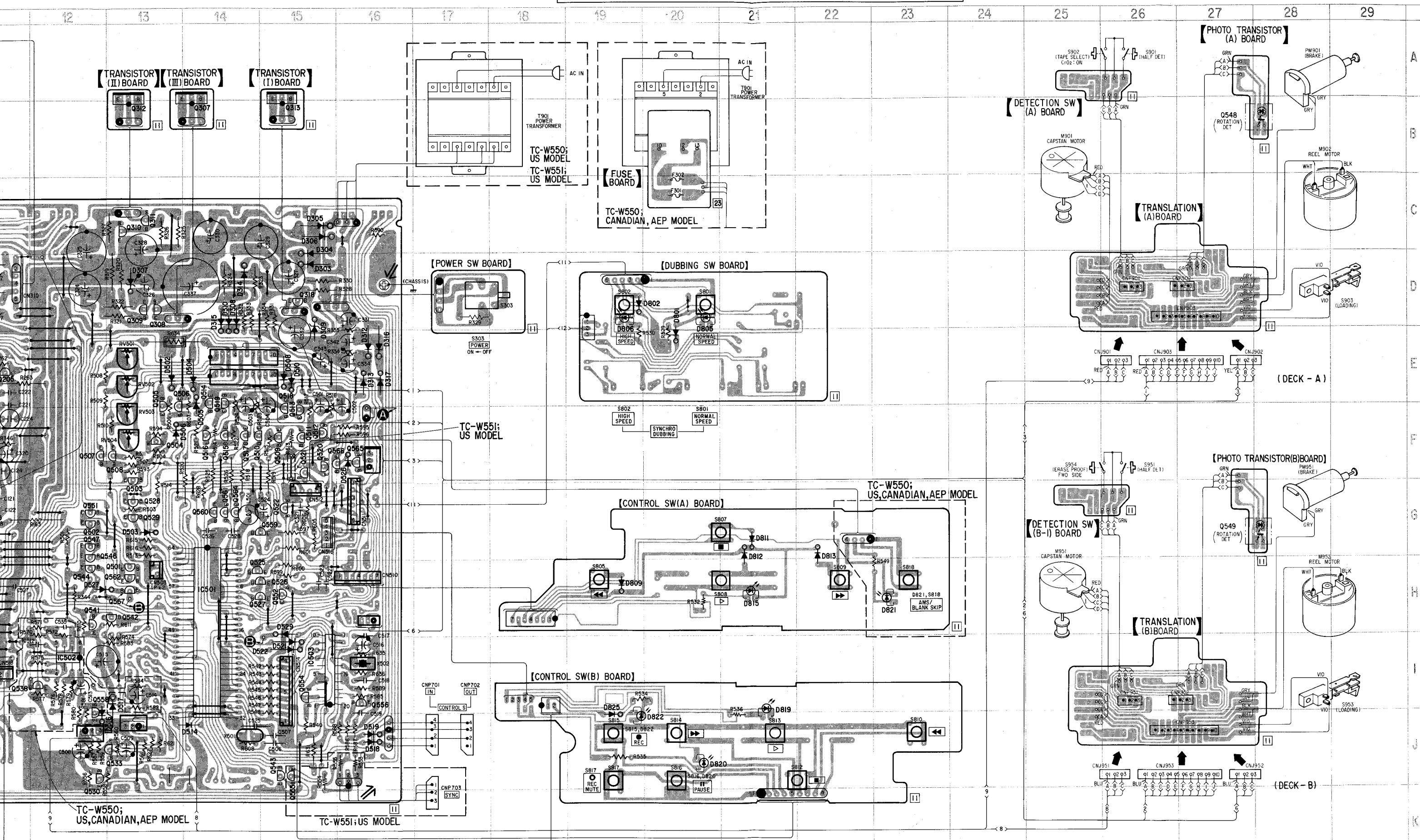
Note:

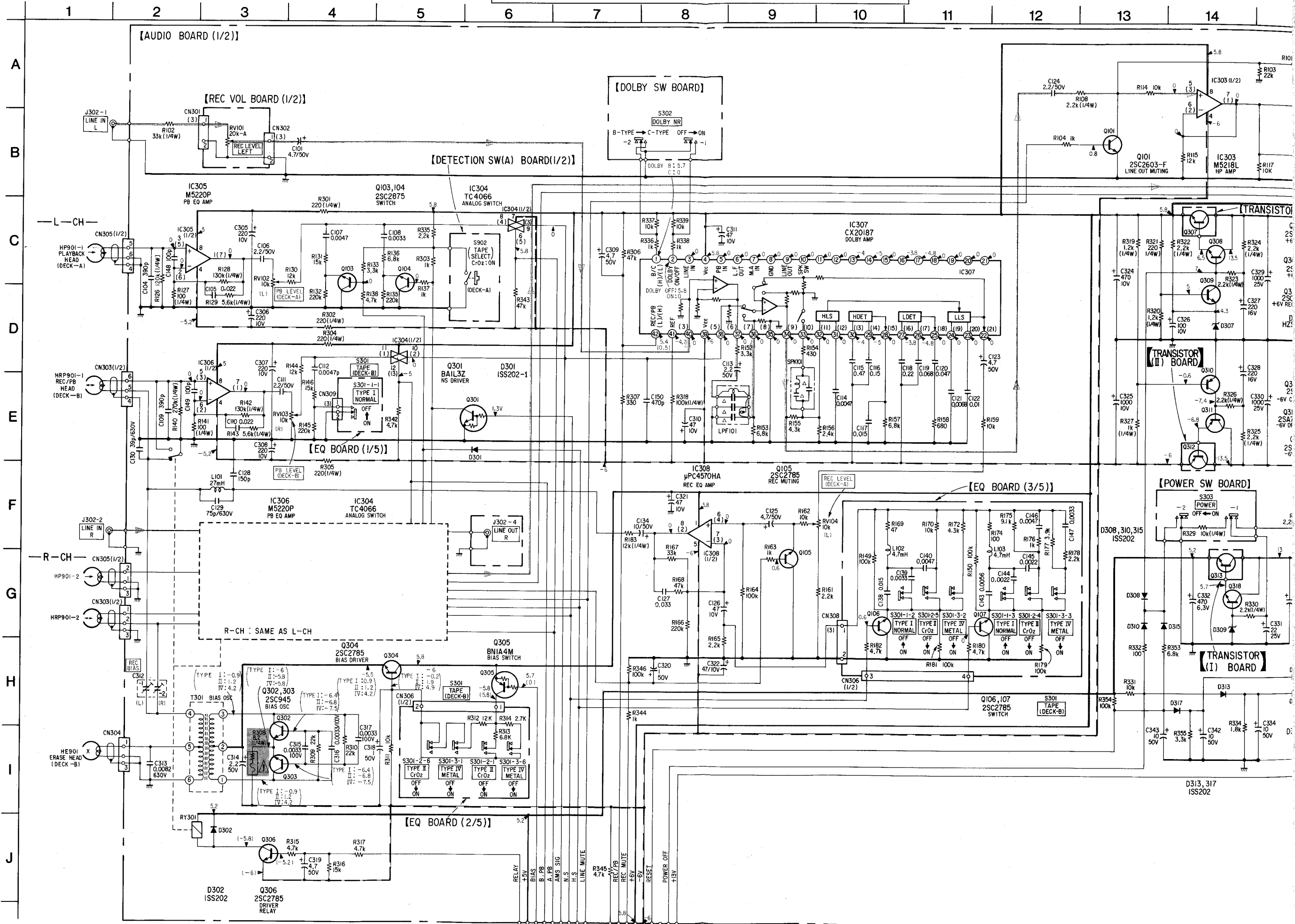
- — : parts extracted from the component side.
- — : parts extracted from the conductor side.

• SEMICONDUCTOR LOCATIONS

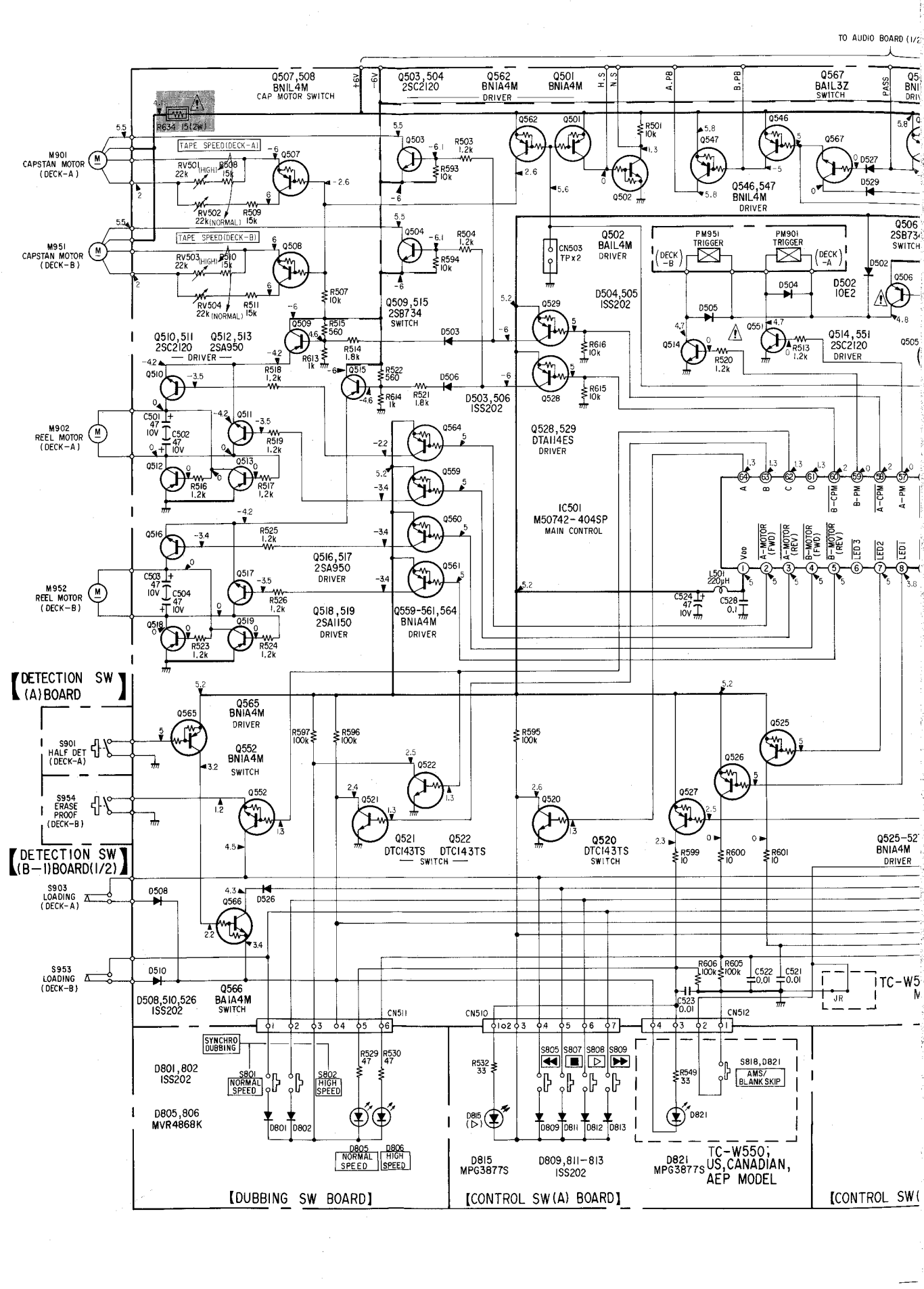
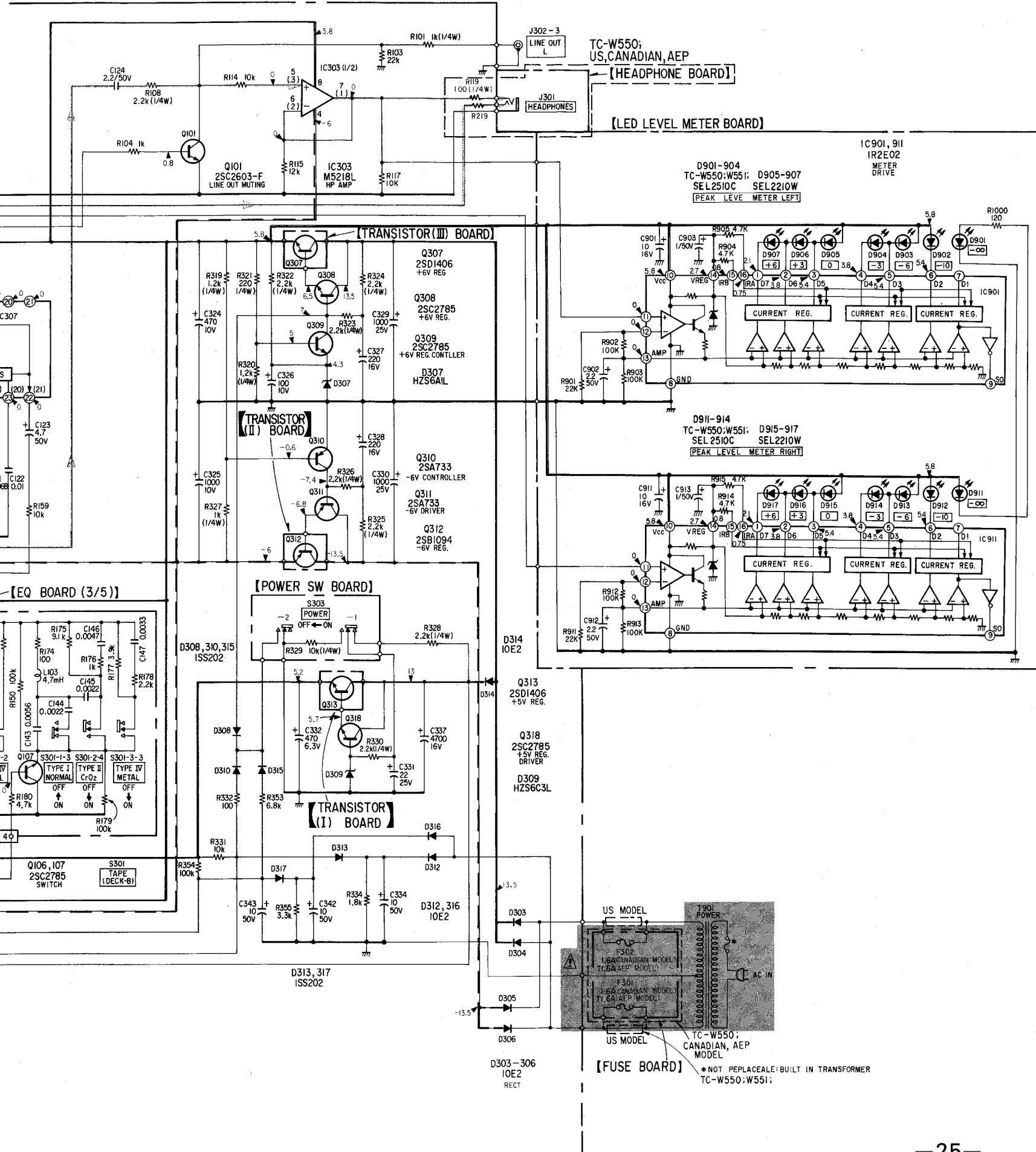
Ref. No.	Location	Ref. No.	Location	Ref. No.	Location
D301	F-8	D904	D-3	Q502	G-12
D302	H-9	D905	D-3	Q503	G-13
D303	D-15	D906	D-4	Q504	F-13
D304	C-15	D907	D-4	Q505	E-13
D305	C-15	D911	C-2	Q506	E-13
D306	C-15	D912	C-2	Q507	F-12
D307	D-13	D913	C-2	Q508	F-13
D308	D-14	D914	C-3	Q509	F-15
D309	D-15	D915	C-3	Q510	F-14
D310	D-14	D916	C-4	Q511	F-15
D312	E-16	D917	C-4	Q512	F-15
D313	E-16			Q513	F-15
D314	D-14	IC303	C-10	Q514	E-14
D315	D-14	IC304	G-7	Q515	F-14
D316	E-16	IC305	F-7	Q516	F-14
D317	E-16	IC306	I-8	Q517	F-14
D502	E-13	IC307	F-10	Q518	E-15
D503	G-13	IC308	I-7	Q519	E-14
D504	E-14	IC501	H-14	Q520	F-15
D505	F-14	IC502	I-12	Q521	F-15
D506	F-13	IC503	I-15	Q522	G-15
D508	E-15	IC901	D-3	Q525	H-14
D510	E-15	IC911	C-3	Q526	H-15
D514	J-14			Q527	H-14
D516	J-12	Q101	D-8	Q528	G-13
D517	I-3	Q103	G-8	Q529	G-13
D518	J-16	Q104	G-8	Q530	K-12
D519	J-16	Q105	G-11	Q533	J-13
D521	I-15	Q106	I-6	Q538	I-11
D522	I-15	Q107	I-5	Q541	H-12
D526	F-16	Q201	D-8	Q542	H-13
D527	H-12	Q203	E-8	Q543	J-15
D528	H-8	Q204	E-8	Q544	H-12
D529	H-15	Q205	E-11	Q546	G-12
D801	D-20	Q206	I-4	Q547	G-12
D802	D-20	Q207	I-4	Q548	B-27
D805	D-20	Q301	G-8	Q549	G-27
D806	D-19	Q302	I-10	Q551	G-12
D809	H-19	Q303	I-10	Q552	H-15
D811	G-21	Q304	H-10	Q554	I-15
D812	G-21	Q305	H-10	Q556	I-16
D813	G-22	Q306	I-9	Q558	I-12
D815	H-21	Q307	B-14	Q559	G-15
D819	J-21	Q308	D-13	Q560	G-14
D820	J-20	Q309	D-13	Q561	G-14
D821	H-23	Q310	C-13	Q562	H-13
D822	J-20	Q311	C-13	Q564	G-14
D825	I-19	Q312	B-13	Q565	F-16
D901	D-2	Q313	B-15	Q566	F-15
D902	D-2	Q318	D-15	Q567	H-13
D903	D-2	Q501	H-13		



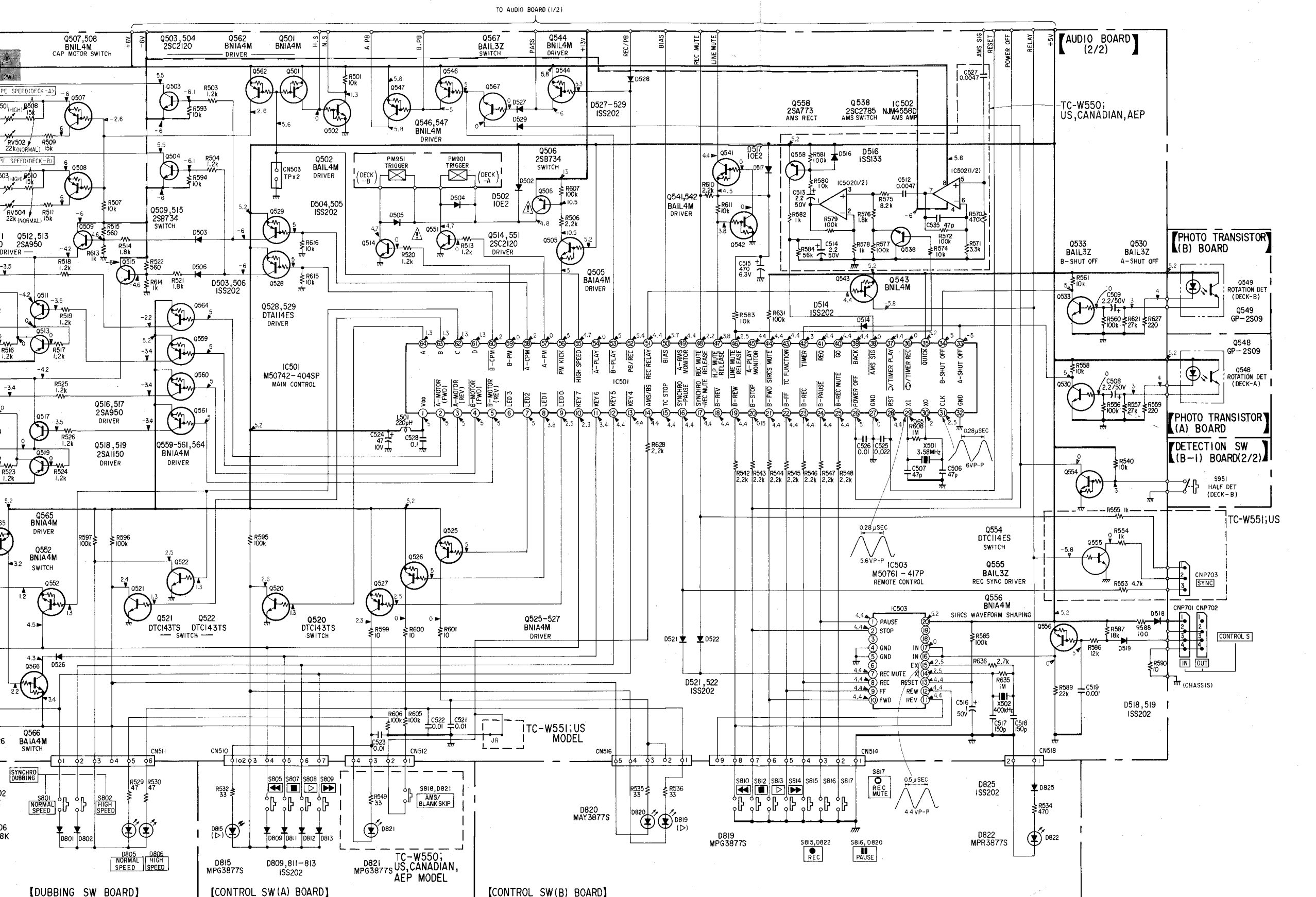




12 13 14 15 16 17 18 19 20 21 22 23 24 25 26 27 28



A
B
C
D
E
F
G
H
I
J



SECTION 6
EXPLODED VIEWS AND PARTS LIST

Note on Schematic Diagram:

- All capacitors are in μF unless otherwise noted. pF: μpF
- 50WV or less are not indicated except for electrolytics and tantalums.
- All resistors are in Ω and $\frac{1}{6}\text{W}$ or less unless otherwise specified.
- --- : Signal path.
- Components for right channel have same values as for left channel. Reference numbers are coded from 200.
- Δ : internal component.
- --- : nonflammable resistor.
- --- : fusible resistor.
- --- : B+ bus.
- --- : B- bus.
- --- : adjustment for repair.
- Voltages are dc with respect to ground unless otherwise noted.
- Readings are taken under no-signal conditions with a VOM (50 $\text{k}\Omega/\text{V}$).
- () : REC
- Voltage variations may be noted due to normal production tolerances.
- Waveforms are taken to ground in no-signal mode by using oscilloscope.
- Voltage variations may be noted due to normal production tolerances.
- Switches

Ref. No.	Switch	Position
S301	TAPE SELECT (DECK-B)	NORMAL
S302-1	DOLBY NR B-TYPE/C-TYPE	B-TYPE
S302-2	DOLBY NR ON/OFF	OFF
S303	POWER	ON
S801	SYNCHRO DUBBING NORMAL SPEED	OFF
S802	SYNCHRO DUBBING HIGH SPEED	OFF
S805	◀ DECK-A	OFF
S807	■ DECK-A	OFF
S808	▶ DECK-A	OFF
S809	▶▶ DECK-A	OFF
S810	◀◀ DECK-B	OFF
S812	■ DECK-B	OFF
S813	▶ DECK-B	OFF
S814	▶▶ DECK-B	OFF
S815	● DECK-B	OFF
S816	■ DECK-B	OFF
S817	○ DECK-B	OFF
S818	DECK-A AMS: TC-W550	OFF
S901	DECK-A (HALF DET)	OFF
S902	DECK-A (TAPE SELECT)	NORMAL
S903	DECK-A (LOADING)	OFF
S951	DECK-B (HALF DET)	OFF
S953	DECK-B (ERASE PROOF)	OFF
S954	DECK-B (LOADING)	OFF

Note: The components identified by shading and mark Δ are critical for safety. Replace only with part number specified.

Note: Les composants identifiés par une trame et une marque Δ sont critiques pour la sécurité. Ne les remplacer que par une pièce portant le numéro spécifié.

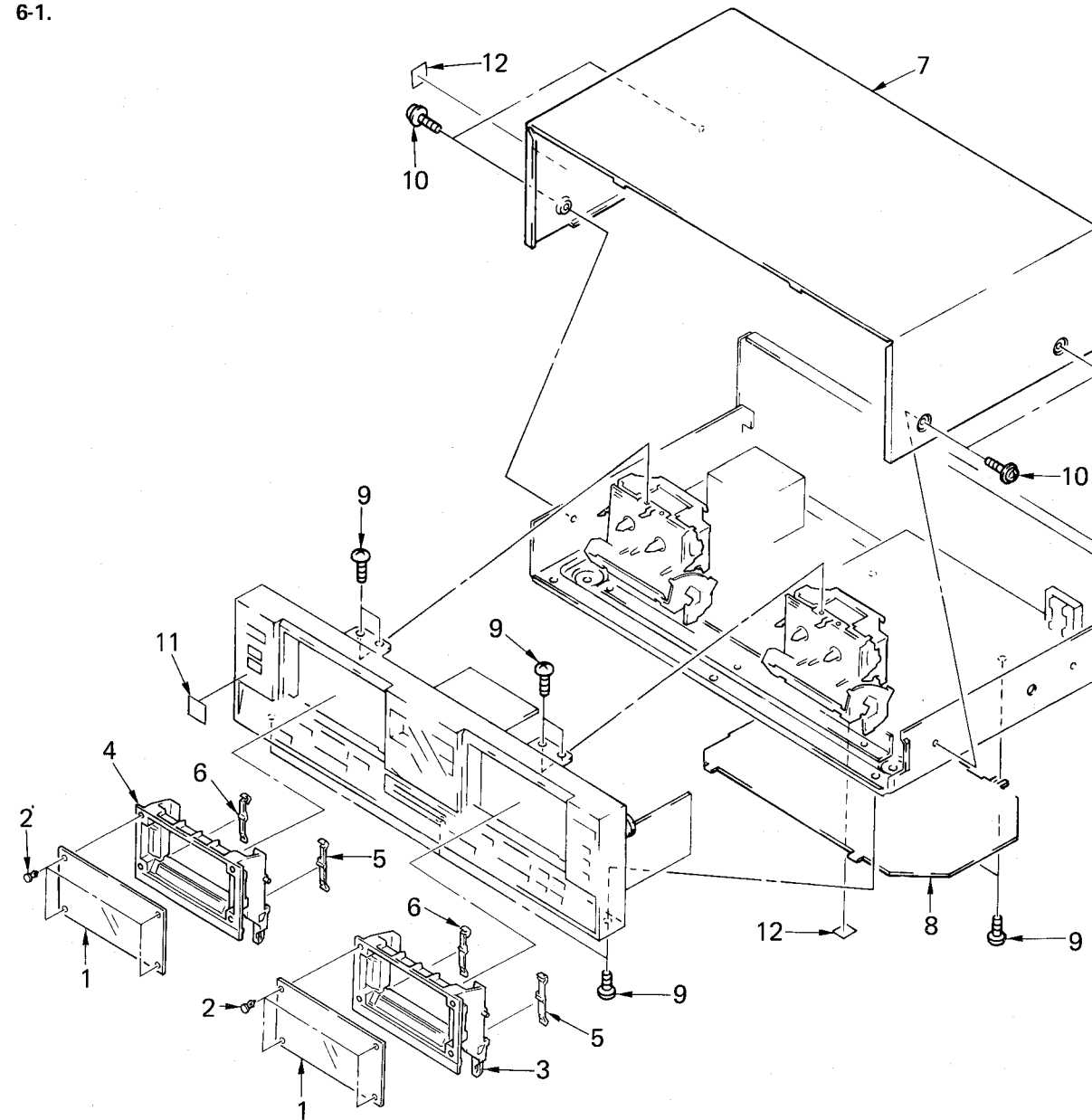
NOTE:

- The mechanical parts with no reference number in the exploded views are not supplied.
- Items marked " * " are not stocked since they are seldom required for routine service. Some delay should be anticipated when ordering these items.
- The construction parts of an assembled part are indicated with a collation number in the remark column.

The components identified by shading and mark Δ are critical for safety. Replace only with part number specified.

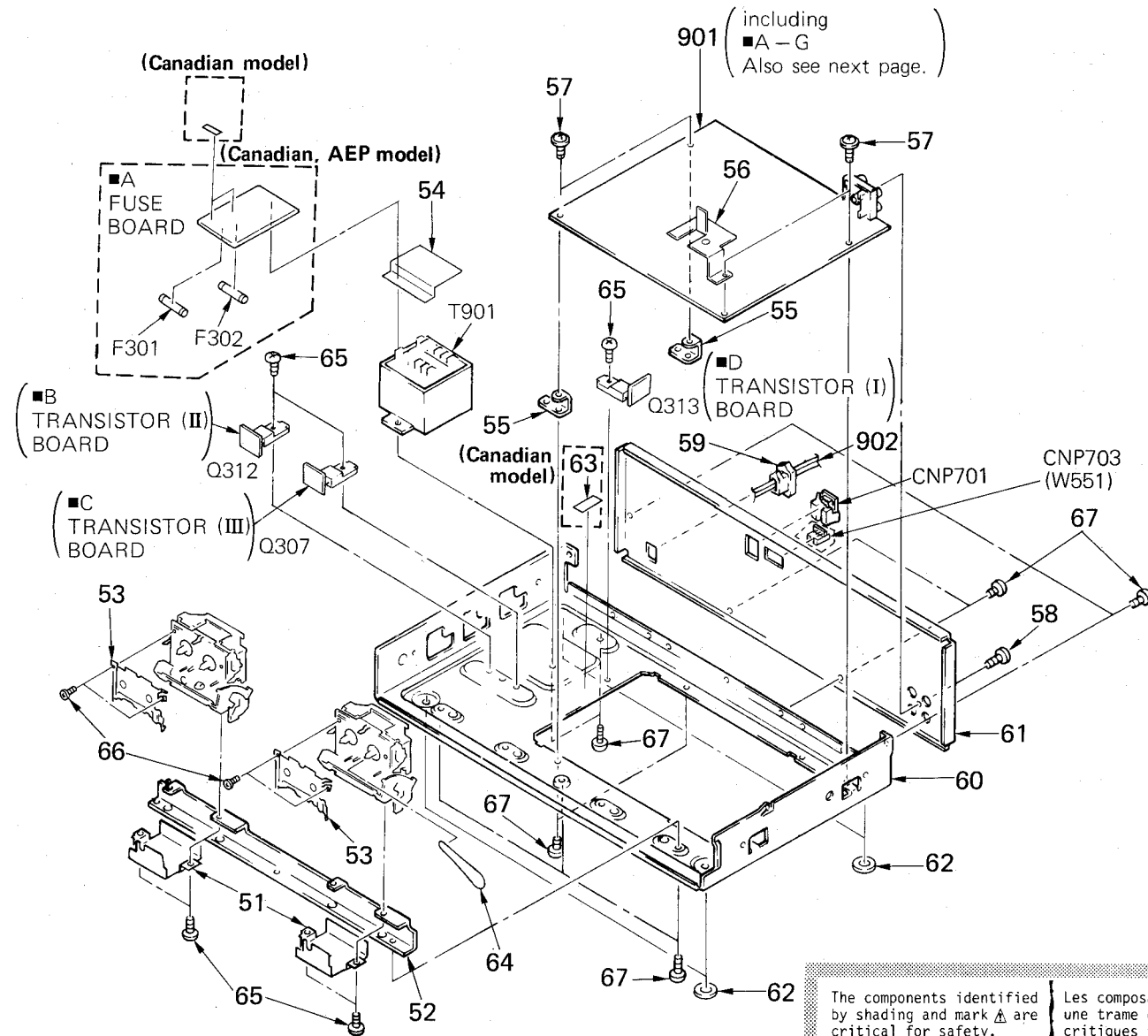
Les composants identifiés par une trame et une marque Δ sont critiques pour la sécurité. Ne les remplacer que par une pièce portant le numéro spécifié.

6-1.



No.	Part No.	Description	Remarks	No.	Part No.	Description	Remarks
1	3-332-470-01	WINDOW, CASSETTE		7	3-332-427-01	CASE	
2	*3-337-123-01	PIN, STOPPER, CASSETTE WINDOW		8	*3-332-418-01	PLATE, BOTTOM	
3	X-3332-430-1	HOLDER (B) ASSY, CASSETTE		9	7-685-871-01	SCREW +BVTT 3X6 (S)	
4	X-3332-429-1	HOLDER (A) ASSY, CASSETTE		10	4-886-821-01	SCREW, M3 CASE	
5	3-307-372-00	SPRING (RIGHT)		11	3-703-713-41	STICKER, SONY SYMBOL (10)	
6	3-307-371-00	SPRING (LEFT)		12	3-703-680-00	LABEL, CAUTION, SUB, NEW UL	

6-2.



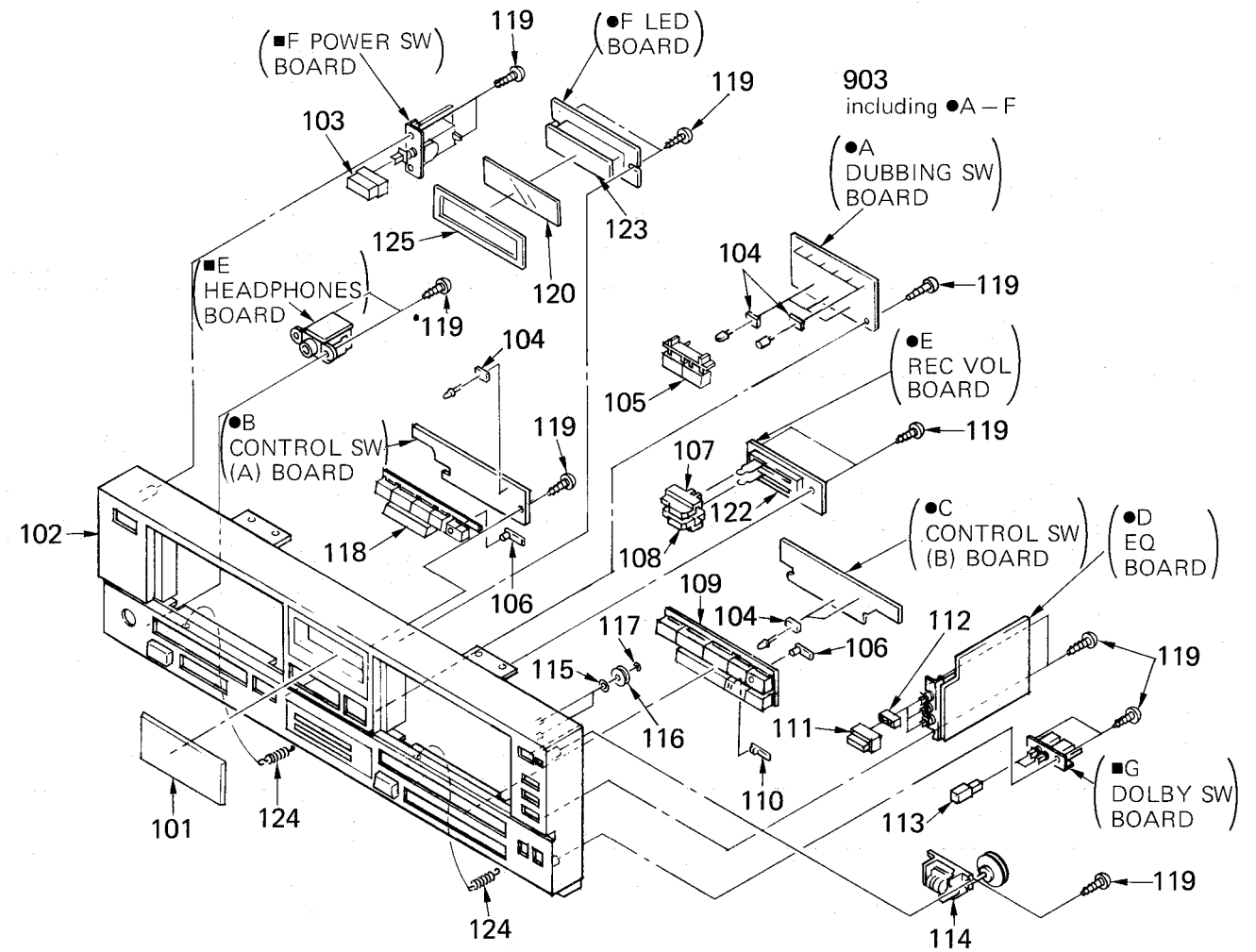
The components identified by shading and mark Δ are critical for safety. Replace only with part number specified.

Les composants identifiés par une trame et une marque Δ sont critiques pour la sécurité. Ne les remplacer que par une pièce portant le numéro spécifié.

No.	Part No.	Description	Remarks
51	*4-919-325-11	PLATE, SHIELD, HEAD	
52	*3-332-421-01	BRACKET, MD	
53	*3-332-547-01	PLATE, ORNAMENTAL	
54	*3-337-136-01	COVER, TRANSFORMER SAFETY	
55	*3-332-410-01	BRACKET (2), PC BOARD	
56	*3-332-496-01	PLATE, SHIELD	
57	7-687-511-31	SCREW, TOTSU PTTWH 3X8	
58	7-685-646-79	SCREW +BVTP 3X8 TYPE2 N-S	
59	3-703-244-02 (W550:Canadian,AEP)...	BUSHING (2104), CORD	
	3-703-571-00 (W550:US,W551)...	BUSHING (S) (4516), CORD	
60	*3-332-426-01	CHASSIS	
61	*3-332-466-01 (W550:US,Canadian,W551)...	PLATE, JACK	
	*3-332-466-11 (W550:AEP)....	PLATE, JACK	
62	3-576-731-00	FELT (H)	
63	3-703-044-26 (W550:Canadian)...	LABEL, CAUTION	
64	3-530-181-XX	BELT, DETCTING	
65	7-685-871-01	SCREW +BVTT 3X6 (S)	

No.	Part No.	Description	Remarks
66	7-621-255-10	SCREW +B 2X3	
67	7-685-752-04	SCREW +BVTT 3X8 (S)	
901	*A-2056-359-A	MOUNTED PCB, AUDIO	
902	Δ .1-534-817-XX (W550:AEP)...	CORD, POWER, EULO PLUG	
	Δ .1-551-510-12 (W550:Canadian)...	CORD, POWER	
	Δ .1-551-628-00 (W550:US,W551)....	CORD, POWER	
	CNP701*1-559-135-11	CORD (WITH CONNECTOR)	
	CNP703 1-558-917-21	(W551)...CORD (WITH CONNECTOR)(SIRCS)4P	
	F301 Δ .1-532-259-11 (W550:AEP)....	FUSE, TIME-LAG, T1.6A	
	F301 Δ .1-532-555-11 (W550:Canadian)	...FUSE, GLASS TUBE, 1.6A NORMAL	
	F302 Δ .1-532-259-11 (W550:AEP)....	FUSE, TIME-LAG, T1.6A	
	F302 Δ .1-532-555-11 (W550:Canadian)	...FUSE, GLASS TUBE, 1.6A NORMAL	
	T901 Δ .1-448-376-11 (W550:US,Canadian,W551)	...TRANSFORMER, POWER	
	T901 Δ .1-448-377-11 (W550:AEP)....	TRANSFORMER, POWER	

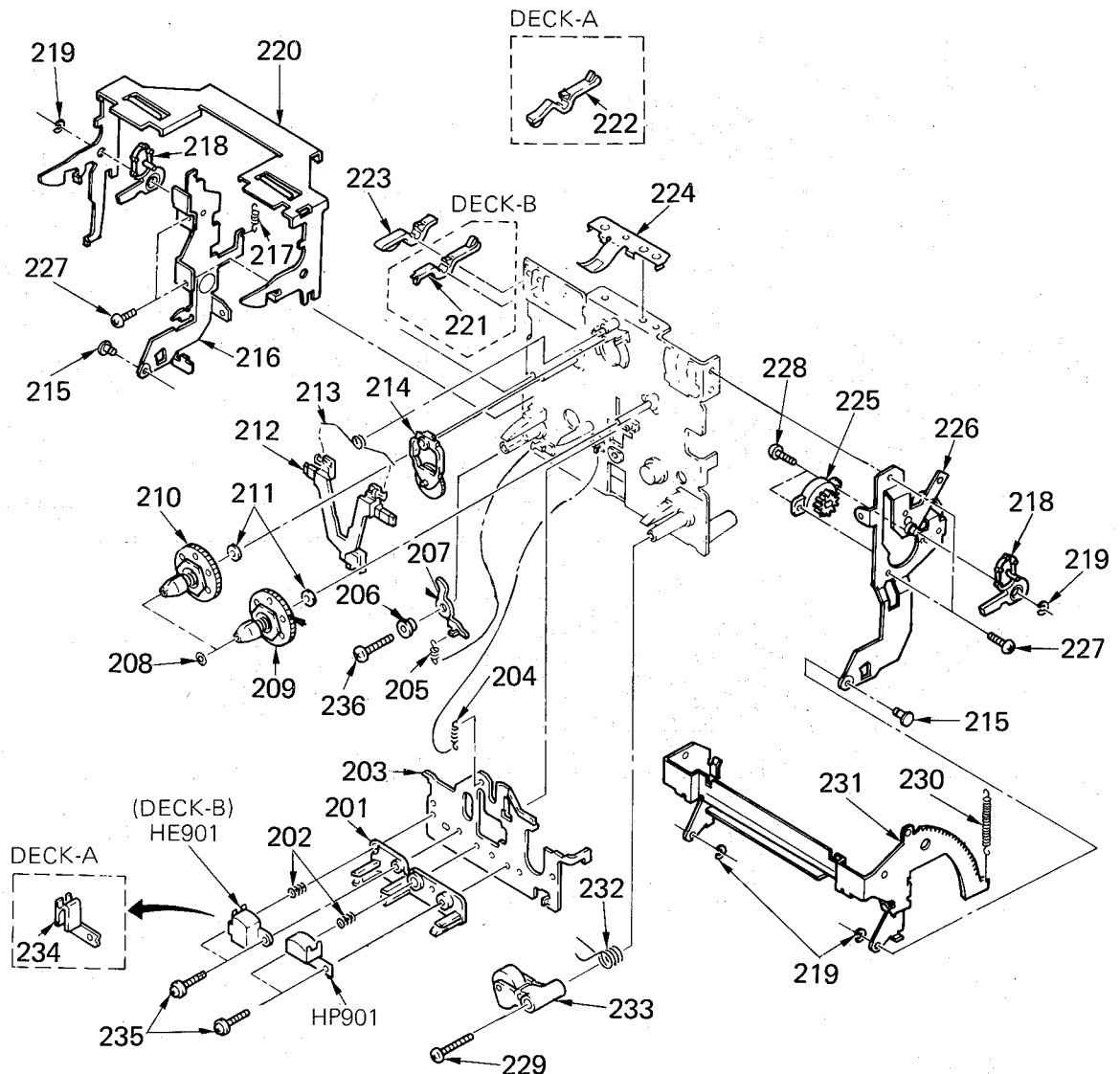
6-3.



No.	Part No.	Description	Remarks
101	3-332-469-21	WINDOW, METER	
102	X-3332-431-1 (W550:US,Canadian).....	PANEL ASSY, FRONT	
	X-3332-432-1 (W550:AEP).....	PANEL ASSY, FRONT	
	X-3332-461-1 (W551).....	PANEL ASSY, FRONT	
103	4-917-460-01	KNOB, POWER	
104	*4-901-657-00	SPACER (A), LED	
105	X-3332-428-1	BUTTON ASSY, DUBBING	
106	3-332-412-01	WINDOW, REC	
107	3-323-446-01	KNOB (LEFT), CONTROL	
108	3-323-447-01	KNOB (RIGHT), CONTROL	
109	X-3332-427-1	BUTTON (B) ASSY, CONTROL	
110	*3-332-411-01	WINDOW, PAUSE	
111	3-318-909-11	KNOB, PUSH	
112	4-864-307-00	RING	

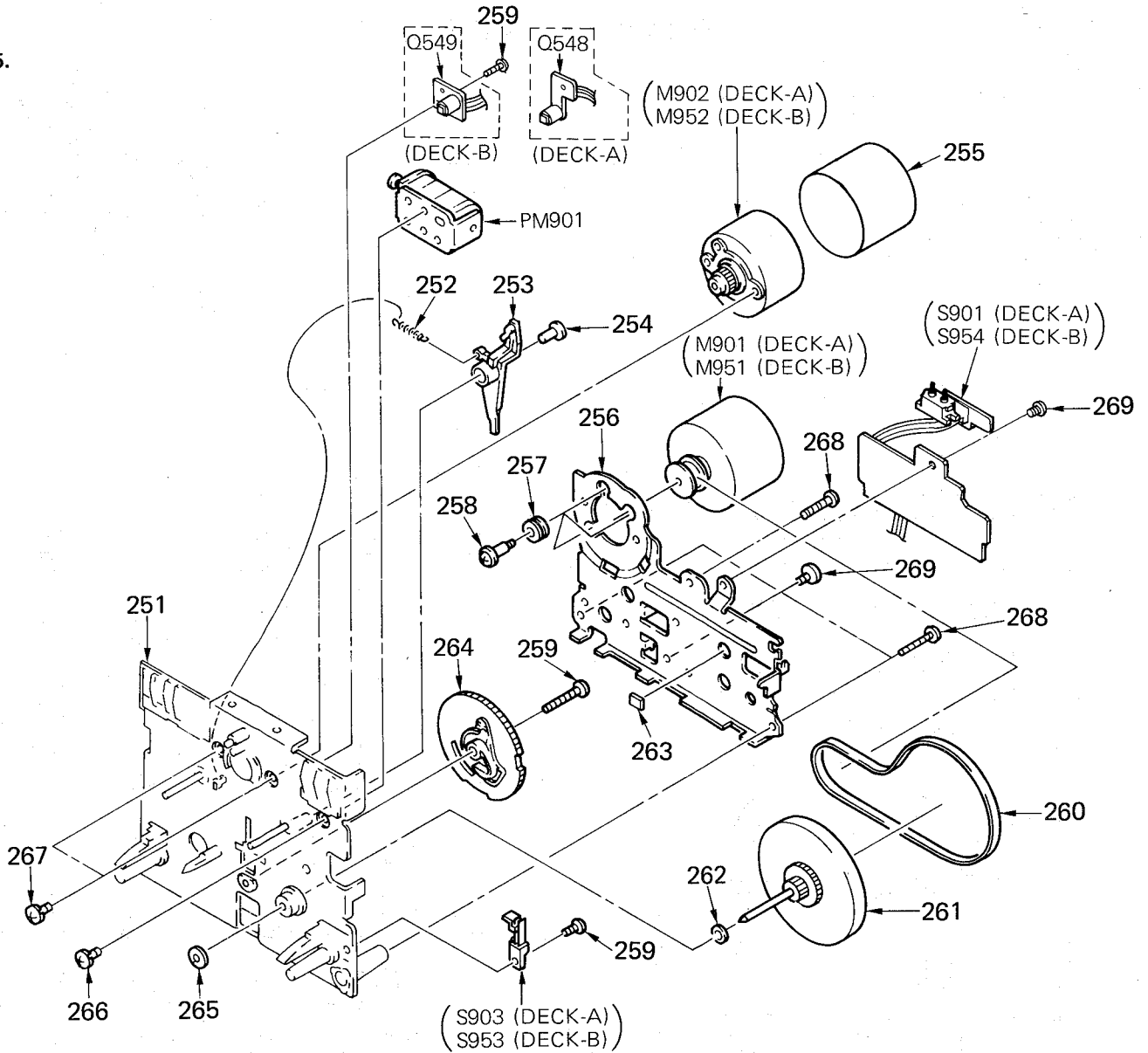
No.	Part No.	Description	Remarks
113	4-855-804-11	KNOB, SQUARE	
114	1-548-596-11	COUNTER, TAPE (MIDDLE TYPE)	
115	3-701-437-11	WASHER	
116	3-549-452-00	PULLEY, SHUT-OFF	
117	3-558-708-11	WASHER, STOPPER	
118	X-3332-426-1	BUTTON (A) ASSY, CONTROL	
119	7-685-646-79	SCREW +BVTP 3X8 TYPE2 N-S	
120	*3-332-463-01	PLATE, ORNAMENTAL, LED	
122	*3-332-402-01	PLATE (A), SHIELD	
123	*3-332-551-01	HOLDER, LED	
124	4-885-182-11	SPRING, TENSION	
125	3-332-449-01	CUSHION, DISPLAY	
903	*1-621-849-11	PC BOARD, ETC	

6-4.



No.	Part No.	Description	Remarks	No.	Part No.	Description	Remarks
201	*3-391-102-01	SPACER, HEAD		219	7-624-105-04	STOP RING 2.3, TYPE -E	
202	3-391-101-01	SPRING		220	*3-391-180-01	ARM, EJECT	
203	*3-391-103-01	BASE, HEAD		221	3-391-188-01	(DECK-B)...LEVER, REC	
204	3-391-114-01	SPRING		222	*3-391-155-01	(DECK-A)...LEVER, CHROME INSPECTION	
				223	3-391-178-01	LEVER, PACK	
205	3-391-123-01	SPRING (A)		224	3-391-177-01	SPRING	
206	3-391-120-01	CALLOR		225	X-3391-151-1	DAMPER ASSY	
207	3-391-105-01	ARM (B), EJECT SAFETY		226	*X-3391-150-1	BKT ASSY, DAMPER	
208	3-701-436-11	WASHER, 1.6		227	7-685-790-04	SCREW +PTT 2.6X4 (S)	
209	X-3391-106-1	(DECK-B)...REEL ASSY		228	7-685-780-04	SCREW +PTT 2X3 (S)	
	X-3391-107-1	(DECK-A)...REEL ASSY, T.U		229	7-685-107-19	SCREW +P 2X12 TYPE2 SLIT	
210	X-3391-106-1	(DECK-A)...REEL ASSY		230	3-391-184-01	SPRING	
	X-3391-107-1	(DECK-B)...REEL ASSY, T.U		231	*3-391-182-01	HOLDER, CASSETTE	
211	3-701-437-11	WASHER		232	3-391-115-01	SPRING (RIGHT)	
212	X-3391-108-1	BRAKE ASSY		233	X-3391-104-1	PINCH ROLLER ASSY	
213	3-391-124-01	SPRING		234	3-391-108-01	(DECK-A)...GUIDE, TAPE	
214	X-3391-111-1	IDLER ASSY		235	7-621-955-75	SCREW, TOTSU PWH 2X12	
215	3-391-183-01	SHAFT (B), HOLDER FULCRUM		236	7-685-105-19	SCREW +P 2X8 TYPE2 SLIT	
216	*X-3391-152-1	ARM ASSY, EJECT		HE901	1-543-375-11	(DECK-B)...HEAD, ERASE (EF-701-36)	
217	3-391-181-01	SP, LEVER RETURN		HP901	1-543-374-11	HEAD, REC-PB (PP-702-3602)	
218	3-391-185-01	LEVER, STOP		HRP901	1-543-374-11	HEAD, REC-PB (PP-702-3602)	

6-5.



No.	Part No.	Description	Remarks
251	*X-3391-101-1	CHASSIS ASSY, MECHANICAL	
252	3-391-133-01	SPRING	
253	X-3391-114-1	ARM ASSY, PLAY	
254	3-391-126-01	CAP	
255	3-391-132-01	PLATE, SHIELD	
256	*3-391-130-01	BRACKET (B), F/W	
257	3-391-138-01	MOTOR, CUSHION	
258	3-391-147-01	SCREW, MOTOR FITTING	
259	7-685-104-19	SCREW +P 2X6 TYPE2 SLIT	
260	3-391-107-01	BELT, MAIN	
261	X-3391-149-1	ASSY F/W	
262	3-701-438-11	WASHER, 2.5	
263	3-391-129-01	SPACER	
264	3-391-128-01	GEAR (B), CAM	
265	3-391-119-01	SEAL, WASHER OIL	
266	7-628-253-90	SCREW +PS 2.6X4	
267	3-391-118-01	SCREW, WASHER	
268	7-685-131-19	SCREW +P 2.6X4 TYPE2 NON-SLIT	
269	7-685-750-04	SCREW +PTT 3X5 (S)	

No.	Part No.	Description	Remarks
951	1-589-079-11	(DECK-B)...PC BOARD BLOCK	
	1-589-080-11	(DECK-A)...PC BOARD BLOCK	
M901	X-3391-117-1	(DECK-A)...MOTOR ASSY, CAPSTAN	
M902	X-3391-118-1	(DECK-A)...MOTOR ASSY, REEL	
M951	X-3391-117-1	(DECK-B)...MOTOR ASSY, CAPSTAN	
M952	X-3391-118-1	(DECK-B)...MOTOR ASSY, REEL	
PM901	1-454-428-11	SOLENOID, PLUNGER	
Q548	1-807-509-11	PHOTO SENSOR (GP-2S09)	
Q549	1-807-509-11	PHOTO SENSOR (GP-2S09)	
S901	1-570-720-11	SWITCH, PUSH (1 KEY)(HALF DET)	
S903	1-570-719-11	SWITCH, LEAF (LOADING)	
S951	1-570-720-11	SWITCH, PUSH (1 KEY)(HALFDET)	
S953	1-570-719-11	SWITCH, LEAF (LOADING)	
S954	1-570-720-11	SWITCH, PUSH (1 KEY)(ERASE PROOF)	

SECTION 7 ELECTRICAL PARTS LIST

NOTE:

- Items marked " * " are not stocked since they are seldom required for routine service. Some delay should be anticipated when ordering these items.
- If there are two or more same circuits in a set such as a stereophonic machine, only typical circuit parts may be indicated and capacitors and resistors in other same circuits may be omitted.

CAPACITORS:

MF:μF, PF:μμF.

RESISTORS

- All resistors are in ohms.
- F : nonflammable

COILS

MMH : mH, UH : μH

SEMICONDUCTORS

In each case, U : μ, for example:

UA...: μA..., UPA...: μPA..., UPC...: μPC,
UPD...: μPD...

The components identified by shading and mark **Δ** are critical for safety. Replace only with part number specified.

Les composants identifiés par une trame et une marque **Δ** sont critiques pour la sécurité. Ne les remplacer que par une pièce portant le numéro spécifié.

ELECTRICAL PARTS

Ref.No.	Part No.	Description
901	*A-2056-359-A	MOUNTED PCB, AUDIO
902	Δ 1-534-817-XX	(W550-AEP)...CORD, POWER, FULO PLUG
	Δ 1-551-510-12	(W550-Canadian)...CORD, POWER
	Δ 1-551-628-00	(W550-US,W551)...CORD, POWER
903	*1-621-849-11	PC BOARD, ETC
951	1-589-079-11	(DECK-B)...PC BOARD BLOCK
	1-589-080-11	(DECK-A)...PC BOARD BLOCK
C101	1-124-927-11	ELECT 4.7MF 20% 50V
C104	1-162-289-31	CERAMIC 390PF 10% 50V
C105	1-136-157-00	FILM 0.022MF 5% 50V
C106	1-124-183-00	ELECT 2.2MF 20% 50V
C107	1-110-203-00	MYLAR 0.0047MF 5% 50V
C108	1-161-327-00	CERAMIC 0.0033MF 30% 16V
C109	1-162-289-31	CERAMIC 390PF 10% 50V
C110	1-136-157-00	FILM 0.022MF 5% 50V
C111	1-124-183-00	ELECT 2.2MF 20% 50V
C112	1-161-377-00	CERAMIC 0.0047MF 30% 16V
C113	1-124-925-11	ELECT 2.2MF 20% 50V
C114	1-110-203-00	MYLAR 0.0047MF 5% 50V
C115	1-136-173-00	FILM 0.47MF 5% 50V
C116	1-136-167-00	FILM 0.15MF 5% 50V
C117	1-136-155-00	FILM 0.015MF 5% 50V
C118	1-136-169-00	FILM 0.22MF 5% 50V
C119	1-136-163-00	FILM 0.068MF 5% 50V
C120	1-136-161-00	FILM 0.047MF 5% 50V
C121	1-130-481-00	MYLAR 0.0068MF 5% 50V
C122	1-136-153-00	FILM 0.01MF 5% 50V
C123	1-124-927-11	ELECT 4.7MF 20% 50V
C124	1-124-183-00	ELECT 2.2MF 20% 50V
C125	1-124-927-11	ELECT 4.7MF 20% 50V
C126	1-124-892-11	ELECT 47MF 20% 10V
C127	1-136-159-00	FILM 0.033MF 5% 50V
C128	1-162-284-31	CERAMIC 150PF 10% 50V
C129	1-136-273-91	FILM 75PF 5% 630V
C130	1-136-440-11	FILM 39PF 5% 630V
C134	1-124-907-00	ELECT 10MF 20% 50V
C138	1-136-155-00	FILM 0.015MF 5% 50V
C139	1-110-201-00	MYLAR 0.0033MF 5% 50V
C140	1-110-203-00	MYLAR 0.0047MF 5% 50V
C143	1-130-480-00	MYLAR 0.0056MF 5% 50V
C144	1-130-475-00	MYLAR 0.0022MF 5% 50V
C145	1-130-475-00	MYLAR 0.0022MF 5% 50V
C146	1-110-203-00	MYLAR 0.0047MF 5% 50V

ELECTRICAL PARTS

Ref.No.	Part No.	Description
C147	1-110-201-00	MYLAR 0.0033MF 5% 50V
C148	1-162-282-31	CERAMIC 100PF 10% 50V
C149	1-162-282-31	CERAMIC 100PF 10% 50V
C150	1-162-290-31	CERAMIC 470PF 10% 50V
C201	1-124-927-11	ELECT 4.7MF 20% 50V
C204	1-162-289-31	CERAMIC 390PF 10% 50V
C205	1-136-157-00	FILM 0.022MF 5% 50V
C206	1-124-183-00	ELECT 2.2MF 20% 50V
C207	1-110-203-00	MYLAR 0.0047MF 5% 50V
C208	1-161-327-00	CERAMIC 0.0033MF 30% 16V
C209	1-162-289-31	CERAMIC 390PF 10% 50V
C210	1-136-157-00	FILM 0.022MF 5% 50V
C211	1-124-183-00	ELECT 2.2MF 20% 50V
C212	1-161-377-00	CERAMIC 0.0047MF 30% 16V
C213	1-124-925-11	ELECT 2.2MF 20% 50V
C214	1-110-203-00	MYLAR 0.0047MF 5% 50V
C215	1-136-173-00	FILM 0.47MF 5% 50V
C216	1-136-167-00	FILM 0.15MF 5% 50V
C217	1-136-155-00	FILM 0.015MF 5% 50V
C218	1-136-169-00	FILM 0.22MF 5% 50V
C219	1-136-163-00	FILM 0.068MF 5% 50V
C220	1-136-161-00	FILM 0.047MF 5% 50V
C221	1-130-481-00	MYLAR 0.0068MF 5% 50V
C222	1-136-153-00	FILM 0.01MF 5% 50V
C223	1-124-927-11	ELECT 4.7MF 20% 50V
C224	1-124-183-00	ELECT 2.2MF 20% 50V
C225	1-124-927-11	ELECT 4.7MF 20% 50V
C226	1-124-892-11	ELECT 47MF 20% 10V
C227	1-136-159-00	FILM 0.033MF 5% 50V
C228	1-162-284-31	CERAMIC 150PF 10% 50V
C229	1-136-273-91	FILM 75PF 5% 630V
C230	1-136-440-11	FILM 39PF 5% 630V
C234	1-124-907-00	ELECT 10MF 20% 50V
C238	1-136-155-00	FILM 0.015MF 5% 50V
C239	1-110-201-00	MYLAR 0.0033MF 5% 50V
C240	1-110-203-00	MYLAR 0.0047MF 5% 50V
C243	1-130-480-00	MYLAR 0.0056MF 5% 50V
C244	1-130-475-00	MYLAR 0.0022MF 5% 50V
C245	1-130-475-00	MYLAR 0.0022MF 5% 50V
C246	1-110-203-00	MYLAR 0.0047MF 5% 50V
C247	1-110-201-00	MYLAR 0.0033MF 5% 50V
C248	1-162-282-31	CERAMIC 100PF 10% 50V
C249	1-162-282-31	CERAMIC 100PF 10% 50V
C250	1-162-290-31	CERAMIC 470PF 10% 50V
C305	1-124-444-00	ELECT 220MF 20% 10V

ELECTRICAL PARTS

Ref.No.	Part No.	Description				
C306	1-124-444-00	ELECT	220MF	20%	10V	
C307	1-124-444-00	ELECT	220MF	20%	10V	
C308	1-124-444-00	ELECT	220MF	20%	10V	
C309	1-124-927-11	ELECT	4.7MF	20%	50V	
C310	1-124-892-11	ELECT	47MF	20%	10V	
C311	1-124-892-11	ELECT	47MF	20%	10V	
C312	1-141-225-00	CAP, TUNING, TRIMAR				
C313	1-129-713-00	FILM	0.0082MF	10%	630V	
C314	1-124-925-11	ELECT	2.2MF	20%	50V	
C315	1-130-285-00	FILM	0.0033MF	5%	100V	
C316	1-130-285-00	FILM	0.0033MF	5%	100V	
C317	1-130-285-00	FILM	0.0033MF	5%	100V	
C318	1-124-791-11	ELECT	1MF	20%	50V	
C319	1-124-927-11	ELECT	4.7MF	20%	50V	
C320	1-124-791-11	ELECT	1MF	20%	50V	
C321	1-124-892-11	ELECT	47MF	20%	10V	
C322	1-124-892-11	ELECT	47MF	20%	10V	
C324	1-124-472-11	ELECT	470MF	20%	10V	
C325	1-124-473-11	ELECT	1000MF	20%	10V	
C326	1-124-443-00	ELECT	100MF	20%	10V	
C327	1-123-321-00	ELECT	220MF	20%	16V	
C328	1-123-321-00	ELECT	220MF	20%	16V	
C329	1-124-557-11	ELECT	1000MF	20%	25V	
C330	1-124-557-11	ELECT	1000MF	20%	25V	
C331	1-124-908-11	ELECT	22MF	20%	25V	
C332	1-124-470-11	ELECT	470MF	20%	6.3V	
C334	1-124-907-00	ELECT	10MF	20%	50V	
C337	1-124-898-11	ELECT	4700MF	20%	16V	
C342	1-124-907-00	ELECT	10MF	20%	50V	
C343	1-124-907-00	ELECT	10MF	20%	50V	
C501	1-124-892-11	ELECT	47MF	20%	10V	
C502	1-124-892-11	ELECT	47MF	20%	10V	
C503	1-124-892-11	ELECT	47MF	20%	10V	
C504	1-124-892-11	ELECT	47MF	20%	10V	
C506	1-162-029-00	CERAMIC	47PF	5%	50V	
C507	1-162-029-00	CERAMIC	47PF	5%	50V	
C508	1-124-925-11	ELECT	2.2MF	20%	50V	
C509	1-124-925-11	ELECT	2.2MF	20%	50V	
C512	1-161-377-00	(W550:US,Canadian,AEP) ...CERAMIC	0.0047MF	30%	16V	
C513	1-124-925-11	(W550:US,Canadian,AEP) ...ELECT	2.2MF	20%	50V	
C514	1-124-925-11	(W550:US,Canadian,AEP) ...ELECT	2.2MF	20%	50V	
C515	1-124-470-11	ELECT	470MF	20%	6.3V	
C516	1-124-791-11	ELECT	1MF	20%	50V	
C517	1-162-100-00	CERAMIC	150PF	10%	50V	
C518	1-162-284-31	CERAMIC	150PF	10%	50V	
C519	1-162-294-31	CERAMIC	0.001MF	10%	50V	
C521	1-161-379-00	CERAMIC	0.01MF	30%	16V	
C522	1-161-379-00	CERAMIC	0.01MF	30%	16V	
C523	1-161-379-00	CERAMIC	0.01MF	30%	16V	
C524	1-124-892-11	ELECT	47MF	20%	10V	
C525	1-161-494-00	CERAMIC	0.022MF	30%	25V	
C526	1-161-379-00	CERAMIC	0.01MF	30%	16V	
C527	1-161-377-00	(W550:US,Canadian,AEP) ...CERAMIC	0.0047MF	30%	16V	
C528	1-161-063-00	CERAMIC	0.1MF	20%	16V	
C535	1-162-215-31	(W550:US,Canadian,AEP) ...CERAMIC	47PF	5%	50V	

ELECTRICAL PARTS

Ref.No.	Part No.	Description			
C901	1-123-617-00	ELECT	10MF	20%	16V
C902	1-124-257-00	ELECT	2.2MF	20%	50V
C903	1-123-611-00	ELECT	1MF	20%	50V
C911	1-123-617-00	ELECT	10MF	20%	16V
C912	1-124-257-00	ELECT	2.2MF	20%	50V
C913	1-123-611-00	ELECT	1MF	20%	50V
CN301	*1-564-506-11	PLUG, CONNECTOR 3P			
CN302	*1-564-506-11	PLUG, CONNECTOR 3P			
CN303	*1-564-708-11	PIN, CONNECTOR (SMALL TYPE) 6P			
CN304	*1-564-705-11	PIN, CONNECTOR (SMALL TYPE) 3P			
CN305	*1-564-708-11	PIN, CONNECTOR (SMALL TYPE) 6P			
CN306	*1-564-507-11	PLUG, CONNECTOR 4P			
CN308	*1-564-506-11	PLUG, CONNECTOR 3P			
CN309	*1-564-506-11	PLUG, CONNECTOR 3P			
CN310	*1-564-508-11	PLUG, CONNECTOR 5P			
CN503	*1-564-505-11	PLUG, CONNECTOR 2P			
CN510	*1-564-341-11	PIN, CONNECTOR 7P			
CN511	*1-564-509-11	PLUG, CONNECTOR 6P			
CN512	*1-564-507-11	PLUG, CONNECTOR 4P			
CN514	*1-564-512-41	PLUG, CONNECTOR 9P			
CN516	*1-564-339-00	PIN, CONNECTOR 5P			
CN518	*1-564-336-00	PIN, CONNECTOR 2P			
CNP701	*1-559-135-11	CORD (WITH CONNECTOR)			
CNP703	1-558-233-11	(W551)...CORD (WITH CONNECTOR)(SIRCS)4P			
D301	8-719-940-76	DIODE 1SS132			
D302	8-719-107-94	DIODE 1SS202-1			
D303	8-719-200-77	DIODE 10E2N			
D304	8-719-200-77	DIODE 10E2N			
D305	8-719-200-77	DIODE 10E2N			
D306	8-719-200-77	DIODE 10E2N			
D307	8-719-933-33	DIODE HZS6A1L			
D308	8-719-940-76	DIODE 1SS132			
D309	8-719-910-65	DIODE HZ6C2L			
D310	8-719-940-76	DIODE 1SS132			
D312	8-719-200-77	DIODE 10E2N			
D313	8-719-940-76	DIODE 1SS132			
D314	8-719-200-77	DIODE 10E2N			
D315	8-719-940-76	DIODE 1SS132			
D316	8-719-200-77	DIODE 10E2N			
D317	8-719-940-76	DIODE 1SS132			
D502	8-719-200-77	DIODE 10E2N			
D503	8-719-940-76	DIODE 1SS132			
D504	8-719-107-94	DIODE 1SS202-1			
D505	8-719-107-94	DIODE 1SS202-1			
D506	8-719-940-76	DIODE 1SS132			
D508	8-719-940-76	DIODE 1SS132			
D510	8-719-940-76	DIODE 1SS132			
D514	8-719-940-76	DIODE 1SS132			
D516	8-719-940-76	(W550:US,Canadian,AEP)...DIODE 1SS132			
D517	8-719-200-77	DIODE 10E2N			
D518	8-719-940-76	DIODE 1SS132			
D519	8-719-940-76	DIODE 1SS132			
D521	8-719-940-76	DIODE 1SS132			
D522	8-719-940-76	DIODE 1SS132			
D526	8-719-940-76	DIODE 1SS132			
D527	8-719-940-76	DIODE 1SS132			
D528	8-719-940-76	DIODE 1SS132			

TC-W550/W551

ELECTRICAL PARTS

Ref.No.	Part No.	Description
D529	8-719-940-76	DIODE 1SS132
D801	8-719-940-76	DIODE 1SS132
D802	8-719-940-76	DIODE 1SS132
D805	8-719-942-12	DIODE MVR4868K
D806	8-719-942-12	DIODE MVR4868K
D809	8-719-940-76	DIODE 1SS132
D811	8-719-940-76	DIODE 1SS132
D812	8-719-940-76	DIODE 1SS132
D813	8-719-940-76	DIODE 1SS132
D815	8-719-942-15	DIODE MPG3877S
D819	8-719-942-15	DIODE MPG3877S
D820	8-719-942-14	DIODE MAY3877S
D821	8-719-942-15	(W550:US,Canadian,AEP)...DIODE MPG3877S
D822	8-719-942-17	DIODE MPR3877S
D825	8-719-940-76	DIODE 1SS132
D901	8-719-942-15	(W550:US,Canadian,AEP)...DIODE MPG3877S
D901	8-719-303-00	(W551)...DIODE SEL2510C
D902	8-719-942-15	(W550:US,Canadian,AEP)...DIODE MPG3877S
D902	8-719-303-00	(W551)...DIODE SEL2510C
D903	8-719-942-15	(W550:US,Canadian,AEP)...DIODE MPG3877S
D903	8-719-303-00	(W551)...DIODE SEL2510C
D904	8-719-942-15	(W550:US,Canadian,AEP)...DIODE MPG3877S
D904	8-719-303-00	(W551)...DIODE SEL2510C
D905	8-719-302-74	DIODE SEL2210W-C
D906	8-719-302-74	DIODE SEL2210W-C
D907	8-719-302-74	DIODE SEL2210W-C
D911	8-719-942-15	(W550:US,Canadian,AEP)...DIODE MPG3877S
D911	8-719-303-00	(W551)...DIODE SEL2510C
D912	8-719-942-15	(W550:US,Canadian,AEP)...DIODE MPG3877S
D912	8-719-303-00	(W551)...DIODE SEL2510C
D913	8-719-942-15	(W550:US,Canadian,AEP)...DIODE MPG3877S
D913	8-719-303-00	(W551)...DIODE SEL2510C
D914	8-719-942-15	(W550:US,Canadian,AEP)...DIODE MPG3877S
D914	8-719-303-00	(W551)...DIODE SEL2510C
D915	8-719-302-74	DIODE SEL2210W-C
D916	8-719-302-74	DIODE SEL2210W-C
D917	8-719-302-74	DIODE SEL2210W-C
F301	1-532-259-11	(W550:AEP)...FUSE, TIME-LAG, T1.6A
F301	1-532-555-11	(W550:Canadian) ...FUSE, GLASS TUBE, 1.6A NORMAL
F302	1-532-259-11	(W550:AEP)...FUSE, TIME-LAG, T1.6A
F302	1-532-555-11	(W550:Canadian) ...FUSE, GLASS TUBE, 1.6A NORMAL
HE901	1-543-375-11	(DECK-B)...HEAD, ERASE (EF-701-36)
HP901	1-543-374-11	HEAD, REC-PB (PP-702-3602)
HRP901	1-543-374-11	HEAD, REC-PB (PP-702-3602)
IC303	8-759-600-02	IC M5218L
IC304	8-759-601-43	IC M4066BP
IC305	8-759-111-44	IC UPC4570C-1
IC306	8-759-111-44	IC UPC4570C-1
IC307	8-752-018-70	IC CX20187
IC308	8-759-106-61	IC UPC4570HA
IC501	8-759-603-20	IC M50742-404SP
IC502	8-759-701-12	(W550:US,Canadian,AEP)...IC CXA4559P
IC503	8-759-602-47	IC M50761-417P
IC901	8-759-912-79	IC IR2E02
IC911	8-759-912-79	IC IR2E02

ELECTRICAL PARTS

Ref.No.	Part No.	Description
J301	1-507-982-11	(W550)...JACK (LARGE TYPE)
J302	1-507-908-11	JACK, PIN 4P
L101	1-408-929-00	MICRO INDUCTOR 27MMH
L102	1-408-920-00	MICRO INDUCTOR 4.7MMH
L103	1-408-920-00	MICRO INDUCTOR 4.7MMH
L201	1-408-929-00	MICRO INDUCTOR 27MMH
L202	1-408-920-00	MICRO INDUCTOR 4.7MMH
L203	1-408-920-00	MICRO INDUCTOR 4.7MMH
L501	1-407-173-XX	MICRO INDUCTOR 220UH
M901	X-3391-117-1	(DECK-A)...MOTOR ASSY, CAPSTAN
M902	X-3391-118-1	(DECK-A)...MOTOR ASSY, REEL
M951	X-3391-117-1	(DECK-B)...MOTOR ASSY, CAPSTAN
M952	X-3391-118-1	(DECK-B)...MOTOR ASSY, REEL
PM901	1-454-428-11	SOLENOID, PLUNGER
LPF101	1-231-388-00	FILTER, LOW PASS
LPF201	1-231-388-00	FILTER, LOW PASS
Q101	8-729-600-27	TRANSISTOR 2SC634SP
Q103	8-729-600-27	TRANSISTOR 2SC634SP
Q104	8-729-600-27	TRANSISTOR 2SC634SP
Q105	8-729-600-27	TRANSISTOR 2SC634SP
Q106	8-729-600-27	TRANSISTOR 2SC634SP
Q107	8-729-600-27	TRANSISTOR 2SC634SP
Q201	8-729-600-27	TRANSISTOR 2SC634SP
Q203	8-729-600-27	TRANSISTOR 2SC634SP
Q204	8-729-600-27	TRANSISTOR 2SC634SP
Q205	8-729-600-27	TRANSISTOR 2SC634SP
Q206	8-729-600-27	TRANSISTOR 2SC634SP
Q207	8-729-600-27	TRANSISTOR 2SC634SP
Q301	8-729-806-26	TRANSISTOR 2SC3901
Q302	8-729-600-27	TRANSISTOR 2SC634SP
Q303	8-729-600-27	TRANSISTOR 2SC634SP
Q304	8-729-101-35	TRANSISTOR 2SC2785-E
Q305	9-986-159-01	TRANSISTOR 2SA1348
Q306	8-729-101-35	TRANSISTOR 2SC2785-E
Q307	8-729-201-78	TRANSISTOR 2SD1406
Q308	8-729-600-27	TRANSISTOR 2SC634SP
Q309	8-729-600-27	TRANSISTOR 2SC634SP
Q310	8-729-117-54	TRANSISTOR 2SA1175
Q311	8-729-117-54	TRANSISTOR 2SA1175
Q312	8-729-111-67	TRANSISTOR 2SB1094-L
Q313	8-729-201-78	TRANSISTOR 2SD1406
Q318	8-729-600-27	TRANSISTOR 2SC634SP
Q501	8-729-806-20	TRANSISTOR 2SA1345
Q502	8-729-806-38	TRANSISTOR 2SC3399
Q503	8-729-802-34	TRANSISTOR 2SD1388
Q504	8-729-802-34	TRANSISTOR 2SD1388
Q505	8-729-806-28	TRANSISTOR 2SC3402
Q506	8-729-103-43	TRANSISTOR 2SB734
Q507	8-729-806-20	TRANSISTOR 2SA1345
Q508	8-729-806-20	TRANSISTOR 2SA1345
Q509	8-729-103-43	TRANSISTOR 2SB734
Q510	8-729-802-34	TRANSISTOR 2SD1388
Q511	8-729-802-34	TRANSISTOR 2SD1388
Q512	8-729-802-22	TRANSISTOR 2SB1014
Q513	8-729-802-22	TRANSISTOR 2SB1014
Q514	8-729-212-02	TRANSISTOR 2SC2120-Y

The components identified by shading and mark Δ are critical for safety. Replace only with part number specified.	Les composants identifiés par une trame et une marque Δ sont critiques pour la sécurité. Ne les remplacer que par une pièce portant le numéro spécifié.
--	--

ELECTRICAL PARTS

Ref.No.	Part No.	Description			
Q515	8-729-103-43	TRANSISTOR	2SB734		
Q516	8-729-802-34	TRANSISTOR	2SD1388		
Q517	8-729-802-34	TRANSISTOR	2SD1388		
Q518	8-729-802-22	TRANSISTOR	2SB1014		
Q519	8-729-802-22	TRANSISTOR	2SB1014		
Q520	8-729-806-26	TRANSISTOR	2SC3901		
Q521	8-729-806-26	TRANSISTOR	2SC3901		
Q522	8-729-806-26	TRANSISTOR	2SC3901		
Q525	9-986-159-01	TRANSISTOR	2SA1348		
Q526	9-986-159-01	TRANSISTOR	2SA1348		
Q527	9-986-159-01	TRANSISTOR	2SA1348		
Q528	9-986-159-01	TRANSISTOR	2SA1348		
Q529	9-986-159-01	TRANSISTOR	2SA1348		
Q530	8-729-806-26	TRANSISTOR	2SC3901		
Q533	8-729-806-26	TRANSISTOR	2SC3901		
Q538	8-729-600-27	(W550:US,Canadian,AEP)TRANSISTOR	2SC634SP		
Q541	8-729-806-20	TRANSISTOR	2SA1345		
Q542	8-729-806-38	TRANSISTOR	2SC3399		
Q543	8-729-806-20	TRANSISTOR	2SA1345		
Q544	8-729-806-20	TRANSISTOR	2SA1345		
Q546	8-729-806-20	TRANSISTOR	2SA1345		
Q547	8-729-806-20	TRANSISTOR	2SA1345		
Q548	1-807-509-11	PHOTO SENSOR (GP-2S09)			
Q549	1-807-509-11	PHOTO SENSOR (GP-2S09)			
Q551	8-729-212-02	TRANSISTOR	2SC2120-Y		
Q552	8-729-806-28	TRANSISTOR	2SC3402		
Q554	8-729-806-28	TRANSISTOR	2SC3402		
Q555	8-729-806-26	(W551:US)...TRANSISTOR	2SC3901		
Q556	9-986-159-01	TRANSISTOR	2SA1348		
Q558	8-729-117-54	(W550:US,Canadian,AEP) ...TRANSISTOR	2SA1175		
Q559	9-986-159-01	TRANSISTOR	2SA1348		
Q560	9-986-159-01	TRANSISTOR	2SA1348		
Q561	9-986-159-01	TRANSISTOR	2SA1348		
Q562	9-986-159-01	TRANSISTOR	2SA1348		
Q564	9-986-159-01	TRANSISTOR	2SA1348		
Q565	9-986-159-01	TRANSISTOR	2SA1348		
Q566	8-729-806-28	TRANSISTOR	2SC3402		
Q567	8-729-806-26	TRANSISTOR	2SC3901		
R101	1-247-713-11	CARBON	1K	5%	1/4W
R102	1-247-726-11	CARBON	33K	5%	1/4W
R103	1-249-433-11	CARBON	22K	5%	1/6W
R104	1-249-417-11	CARBON	1K	5%	1/6W
R108	1-247-717-11	CARBON	2.2K	5%	1/4W
R114	1-249-429-11	CARBON	10K	5%	1/6W
R115	1-249-430-11	CARBON	12K	5%	1/6W
R117	1-249-429-11	CARBON	10K	5%	1/6W
R118	1-249-434-11	CARBON	27K	5%	1/6W
R119	1-247-700-11	(W550,US,Canadian,AEP) ...CARBON	100	5%	1/4W
R126	1-246-523-00	CARBON	120K	5%	1/4W
R127	1-247-700-11	CARBON	100	5%	1/4W
R128	1-246-524-00	CARBON	130K	5%	1/4W
R129	1-247-722-11	CARBON	5.6K	5%	1/4W
R130	1-249-430-11	CARBON	12K	5%	1/6W
R131	1-249-431-11	CARBON	15K	5%	1/6W
R132	1-215-477-00	CARBON	220K	5%	1/6W
R133	1-249-423-11	CARBON	3.3K	5%	1/6W

ELECTRICAL PARTS

Ref.No.	Part No.	Description			
R135	1-215-477-00	CARBON	220K	5%	1/6W
R136	1-249-427-11	CARBON	6.8K	5%	1/6W
R137	1-249-417-11	CARBON	1K	5%	1/6W
R138	1-249-425-11	CARBON	4.7K	5%	1/6W
R140	1-246-531-00	CARBON	270K	5%	1/4W
R141	1-247-700-11	CARBON	100	5%	1/4W
R142	1-246-524-00	CARBON	130K	5%	1/4W
R143	1-247-722-11	CARBON	5.6K	5%	1/4W
R144	1-249-430-11	CARBON	12K	5%	1/6W
R145	1-215-477-00	CARBON	220K	5%	1/6W
R146	1-249-431-11	CARBON	15K	5%	1/6W
R149	1-249-441-11	CARBON	100K	5%	1/6W
R150	1-249-441-11	CARBON	100K	5%	1/6W
R152	1-249-423-11	CARBON	3.3K	5%	1/6W
R153	1-249-427-11	CARBON	6.8K	5%	1/6W
R154	1-247-822-00	CARBON	430	5%	1/6W
R155	1-215-436-00	CARBON	4.3K	5%	1/6W
R156	1-247-840-00	CARBON	2.4K	5%	1/6W
R157	1-249-427-11	CARBON	6.8K	5%	1/6W
R158	1-249-415-11	CARBON	680	5%	1/6W
R159	1-249-429-11	CARBON	10K	5%	1/6W
R161	1-249-421-11	CARBON	2.2K	5%	1/6W
R162	1-249-429-11	CARBON	10K	5%	1/6W
R163	1-249-417-11	CARBON	1K	5%	1/6W
R164	1-249-441-11	CARBON	100K	5%	1/6W
R165	1-249-421-11	CARBON	2.2K	5%	1/6W
R166	1-215-477-00	CARBON	220K	5%	1/6W
R167	1-249-435-11	CARBON	33K	5%	1/6W
R168	1-249-437-11	CARBON	47K	5%	1/6W
R169	1-249-401-11	CARBON	47	5%	1/6W
R170	1-249-429-11	CARBON	10K	5%	1/6W
R172	1-215-436-00	CARBON	4.3K	5%	1/6W
R174	1-249-405-11	CARBON	100	5%	1/6W
R175	1-247-854-00	CARBON	9.1K	5%	1/6W
R176	1-249-417-11	CARBON	1K	5%	1/6W
R177	1-249-424-11	CARBON	3.9K	5%	1/6W
R178	1-249-421-11	CARBON	2.2K	5%	1/6W
R179	1-249-441-11	CARBON	100K	5%	1/6W
R180	1-249-425-11	CARBON	4.7K	5%	1/6W
R181	1-249-441-11	CARBON	100K	5%	1/6W
R182	1-249-425-11	CARBON	4.7K	5%	1/6W
R183	1-249-459-11	CARBON	12K	5%	1/4W
R201	1-247-713-11	CARBON	1K	5%	1/4W
R202	1-247-726-11	CARBON	33K	5%	1/4W
R203	1-249-433-11	CARBON	22K	5%	1/6W
R204	1-249-417-11	CARBON	1K	5%	1/6W
R208	1-247-717-11	CARBON	2.2K	5%	1/4W
R214	1-249-429-11	CARBON	10K	5%	1/6W
R215	1-249-430-11	CARBON	12K	5%	1/6W
R217	1-249-429-11	CARBON	10K	5%	1/6W
R218	1-249-434-11	CARBON	27K	5%	1/6W
R219	1-247-700-11	(W550:US,Canadian,AEP) ...CARBON	100	5%	1/4W
R226	1-246-523-00	CARBON	120K	5%	1/4W
R227	1-247-700-11	CARBON	100	5%	1/4W
R228	1-246-524-00	CARBON	130K	5%	1/4W
R229	1-247-722-11	CARBON	5.6K	5%	1/4W
R230	1-249-430-11	CARBON	12K	5%	1/6W

TC-W550/W551

ELECTRICAL PARTS

Ref.No.	Part No.	Description			
R231	1-249-431-11	CARBON	15K	5%	1/6W
R232	1-215-477-00	CARBON	220K	5%	1/6W
R233	1-249-423-11	CARBON	3.3K	5%	1/6W
R235	1-215-477-00	CARBON	220K	5%	1/6W
R236	1-249-427-11	CARBON	6.8K	5%	1/6W
R237	1-249-417-11	CARBON	1K	5%	1/6W
R238	1-249-425-11	CARBON	4.7K	5%	1/6W
R240	1-246-531-00	CARBON	270K	5%	1/4W
R241	1-247-700-11	CARBON	100	5%	1/4W
R242	1-246-524-00	CARBON	130K	5%	1/4W
R243	1-247-722-11	CARBON	5.6K	5%	1/4W
R244	1-249-430-11	CARBON	12K	5%	1/6W
R245	1-215-477-00	CARBON	220K	5%	1/6W
R246	1-249-431-11	CARBON	15K	5%	1/6W
R249	1-249-441-11	CARBON	100K	5%	1/6W
R250	1-249-441-11	CARBON	100K	5%	1/6W
R252	1-249-423-11	CARBON	3.3K	5%	1/6W
R253	1-249-427-11	CARBON	6.8K	5%	1/6W
R254	1-247-822-00	CARBON	430	5%	1/6W
R255	1-215-436-00	CARBON	4.3K	5%	1/6W
R256	1-247-840-00	CARBON	2.4K	5%	1/6W
R257	1-249-427-11	CARBON	6.8K	5%	1/6W
R258	1-249-415-11	CARBON	680	5%	1/6W
R259	1-249-429-11	CARBON	10K	5%	1/6W
R261	1-249-421-11	CARBON	2.2K	5%	1/6W
R262	1-249-429-11	CARBON	10K	5%	1/6W
R263	1-249-417-11	CARBON	1K	5%	1/6W
R264	1-249-441-11	CARBON	100K	5%	1/6W
R265	1-249-421-11	CARBON	2.2K	5%	1/6W
R266	1-215-477-00	CARBON	220K	5%	1/6W
R267	1-249-435-11	CARBON	33K	5%	1/6W
R268	1-249-437-11	CARBON	47K	5%	1/6W
R269	1-249-401-11	CARBON	47	5%	1/6W
R270	1-249-429-11	CARBON	10K	5%	1/6W
R272	1-215-436-00	CARBON	4.3K	5%	1/6W
R274	1-249-405-11	CARBON	100	5%	1/6W
R275	1-247-854-00	CARBON	9.1K	5%	1/6W
R276	1-249-417-11	CARBON	1K	5%	1/6W
R277	1-249-424-11	CARBON	3.9K	5%	1/6W
R278	1-249-421-11	CARBON	2.2K	5%	1/6W
R279	1-249-441-11	CARBON	100K	5%	1/6W
R280	1-249-425-11	CARBON	4.7K	5%	1/6W
R281	1-249-441-11	CARBON	100K	5%	1/6W
R282	1-249-425-11	CARBON	4.7K	5%	1/6W
R283	1-249-459-11	CARBON	12K	5%	1/4W
R301	1-247-704-11	CARBON	220	5%	1/4W
R302	1-247-704-11	CARBON	220	5%	1/4W
R303	1-249-417-11	CARBON	1K	5%	1/6W
R304	1-247-704-11	CARBON	220	5%	1/4W
R305	1-247-704-11	CARBON	220	5%	1/4W
R306	1-249-437-11	CARBON	47K	5%	1/6W
R307	1-249-411-11	CARBON	330	5%	1/6W
R308	1-212-855-11	FUSIBLE	8.2	5%	1/4W F
R309	1-249-433-11	CARBON	22K	5%	1/6W
R310	1-249-433-11	CARBON	22K	5%	1/6W
R311	1-249-429-11	CARBON	10K	5%	1/6W
R312	1-249-430-11	CARBON	12K	5%	1/6W

ELECTRICAL PARTS

Ref.No.	Part No.	Description			
R313	1-249-427-11	CARBON	6.8K	5%	1/6W
R314	1-249-422-11	CARBON	2.7K	5%	1/6W
R315	1-249-425-11	CARBON	4.7K	5%	1/6W
R316	1-249-431-11	CARBON	15K	5%	1/6W
R317	1-249-425-11	CARBON	4.7K	5%	1/6W
R318	1-214-777-00	METAL	100K	1%	1/4W
R319	1-247-714-11	CARBON	1.2K	5%	1/4W
R320	1-247-714-11	CARBON	1.2K	5%	1/4W
R321	1-247-704-11	CARBON	220	5%	1/4W
R322	1-247-717-11	CARBON	2.2K	5%	1/4W
R323	1-247-717-11	CARBON	2.2K	5%	1/4W
R324	1-247-717-11	CARBON	2.2K	5%	1/4W
R325	1-247-717-11	CARBON	2.2K	5%	1/4W
R326	1-247-717-11	CARBON	2.2K	5%	1/4W
R327	1-247-713-11	CARBON	1K	5%	1/4W
R328	1-247-717-11	CARBON	2.2K	5%	1/4W
R329	1-247-725-11	CARBON	10K	5%	1/4W
R330	1-247-717-11	CARBON	2.2K	5%	1/4W
R331	1-249-429-11	CARBON	10K	5%	1/6W
R332	1-249-405-11	CARBON	100	5%	1/6W
R334	1-249-420-11	CARBON	1.8K	5%	1/6W
R335	1-249-421-11	CARBON	2.2K	5%	1/6W
R336	1-249-417-11	CARBON	1K	5%	1/6W
R337	1-249-429-11	CARBON	10K	5%	1/6W
R338	1-249-417-11	CARBON	1K	5%	1/6W
R339	1-249-429-11	CARBON	10K	5%	1/6W
R342	1-249-425-11	CARBON	4.7K	5%	1/6W
R343	1-249-437-11	CARBON	47K	5%	1/6W
R344	1-249-417-11	CARBON	1K	5%	1/6W
R345	1-249-425-11	CARBON	4.7K	5%	1/6W
R346	1-249-441-11	CARBON	100K	5%	1/6W
R353	1-249-427-11	CARBON	6.8K	5%	1/6W
R354	1-249-441-11	CARBON	100K	5%	1/6W
R355	1-249-423-11	CARBON	3.3K	5%	1/6W
R501	1-249-429-11	CARBON	10K	5%	1/6W
R503	1-249-418-11	CARBON	1.2K	5%	1/6W
R504	1-249-418-11	CARBON	1.2K	5%	1/6W
R506	1-249-421-11	CARBON	2.2K	5%	1/6W
R507	1-249-429-11	CARBON	10K	5%	1/6W
R508	1-249-431-11	CARBON	15K	5%	1/6W
R509	1-249-431-11	CARBON	15K	5%	1/6W
R510	1-249-431-11	CARBON	15K	5%	1/6W
R511	1-249-431-11	CARBON	15K	5%	1/6W
R513	1-249-418-11	CARBON	1.2K	5%	1/6W
R514	1-249-420-11	CARBON	1.8K	5%	1/6W
R515	1-249-414-11	CARBON	560	5%	1/6W
R516	1-249-418-11	CARBON	1.2K	5%	1/6W
R517	1-249-418-11	CARBON	1.2K	5%	1/6W
R518	1-249-418-11	CARBON	1.2K	5%	1/6W
R519	1-249-418-11	CARBON	1.2K	5%	1/6W
R520	1-249-418-11	CARBON	1.2K	5%	1/6W
R521	1-249-420-11	CARBON	1.8K	5%	1/6W
R522	1-249-414-11	CARBON	560	5%	1/6W
R523	1-249-418-11	CARBON	1.2K	5%	1/6W
R524	1-249-418-11	CARBON	1.2K	5%	1/6W
R525	1-249-418-11	CARBON	1.2K	5%	1/6W
R526	1-249-418-11	CARBON	1.2K	5%	1/6W

The components identified by shading and mark **A** are critical for safety. Replace only with part number specified.

Les composants identifiés par une trame et une marque **A** sont critiques pour la sécurité. Ne les remplacer que par une pièce portant le numéro spécifié.

TC-W550/W551 TC-W550/W551

ELECTRICAL PARTS						
Ref.No.	Part No.	Description				
R529	1-249-401-11	CARBON	47	5%	1/6W	
R530	1-249-401-11	CARBON	47	5%	1/6W	
R532	1-249-399-11	CARBON	33	5%	1/6W	
R534	1-249-413-11	CARBON	470	5%	1/6W	
R535	1-249-399-11	CARBON	33	5%	1/6W	
R536	1-249-399-11	CARBON	33	5%	1/6W	
R540	1-249-429-11	CARBON	10K	5%	1/6W	
R542	1-249-421-11	CARBON	2.2K	5%	1/6W	
R543	1-249-421-11	CARBON	2.2K	5%	1/6W	
R544	1-249-421-11	CARBON	2.2K	5%	1/6W	
R545	1-249-421-11	CARBON	2.2K	5%	1/6W	
R546	1-249-421-11	CARBON	2.2K	5%	1/6W	
R547	1-249-421-11	CARBON	2.2K	5%	1/6W	
R548	1-249-421-11	CARBON	2.2K	5%	1/6W	
R549	1-249-399-11	(W550:US,Canadian,AEP)...				
		...CARBON	33	5%	1/6W	
R553	1-249-425-11	(W551:US)...	CARBON	4.7K	5%	1/6W
R554	1-249-417-11	(W551:US)...	CARBON	1K	5%	1/6W
R555	1-249-417-11	(W551:US)...	CARBON	1K	5%	1/6W
R556	1-249-441-11	CARBON	100K	5%	1/6W	
R557	1-249-434-11	CARBON	27K	5%	1/6W	
R558	1-249-429-11	CARBON	10K	5%	1/6W	
R559	1-249-409-11	CARBON	220	5%	1/6W	
R560	1-249-441-11	CARBON	100K	5%	1/6W	
R561	1-249-429-11	CARBON	10K	5%	1/6W	
R570	1-215-485-00	(W550:US,Canadian,AEP)...				
		CARBON	470K	5%	1/6W	
R571	1-249-423-11	(W550:US,Canadian,AEP)...				
		CARBON	3.3K	5%	1/6W	
R572	1-249-441-11	(W550:US,Canadian,AEP)...				
		CARBON	100K	5%	1/6W	
R574	1-249-429-11	(W550:US,Canadian,AEP)...				
		CARBON	10K	5%	1/6W	
R575	1-249-428-11	(W550:US,Canadian,AEP)...				
		CARBON	8.2K	5%	1/6W	
R576	1-249-420-11	(W550:US,Canadian,AEP)...				
		CARBON	1.8K	5%	1/6W	
R577	1-249-441-11	(W550:US,Canadian,AEP)...				
		CARBON	100K	5%	1/6W	
R578	1-249-417-11	(W550:US,Canadian,AEP)...				
		CARBON	1K	5%	1/6W	
R579	1-249-441-11	(W550:US,Canadian,AEP)...				
		CARBON	100K	5%	1/6W	
R580	1-249-429-11	(W550:US,Canadian,AEP)...				
		CARBON	10K	5%	1/6W	
R581	1-249-441-11	(W550:US,Canadian,AEP)...				
		CARBON	100K	5%	1/6W	
R582	1-249-417-11	(W550:US,Canadian,AEP)...				
		CARBON	1K	5%	1/6W	
R583	1-249-429-11	CARBON	10K	5%	1/6W	
R584	1-249-438-11	(W550:US,Canadian,AEP)...				
		CARBON	56K	5%	1/6W	
R585	1-249-441-11	CARBON	100K	5%	1/6W	
R586	1-249-430-11	CARBON	12K	5%	1/6W	
R587	1-249-432-11	CARBON	18K	5%	1/6W	
R588	1-249-405-11	CARBON	100	5%	1/6W	
R589	1-249-433-11	CARBON	22K	5%	1/6W	
R590	1-249-393-11	CARBON	10	5%	1/6W	
R593	1-249-429-11	CARBON	10K	5%	1/6W	
R594	1-249-429-11	CARBON	10K	5%	1/6W	
R595	1-249-441-11	CARBON	100K	5%	1/6W	
R596	1-249-441-11	CARBON	100K	5%	1/6W	

ELECTRICAL PARTS						
Ref.No.	Part No.	Description				
R597	1-249-441-11	CARBON	100K	5%	1/6W	
R598	1-249-441-11	CARBON	100K	5%	1/6W	
R599	1-249-393-11	CARBON	10	5%	1/6W	
R600	1-249-393-11	CARBON	10	5%	1/6W	
R601	1-249-393-11	CARBON	10	5%	1/6W	
R605	1-249-441-11	CARBON	100K	5%	1/6W	
R606	1-249-441-11	CARBON	100K	5%	1/6W	
R607	1-249-441-11	CARBON	100K	5%	1/6W	
R608	1-215-493-00	CARBON	1M	5%	1/6W	
R610	1-249-421-11	CARBON	2.2K	5%	1/6W	
R611	1-249-429-11	CARBON	10K	5%	1/6W	
R613	1-249-417-11	CARBON	1K	5%	1/6W	
R614	1-249-417-11	CARBON	1K	5%	1/6W	
R615	1-249-429-11	CARBON	10K	5%	1/6W	
R616	1-249-429-11	CARBON	10K	5%	1/6W	
R621	1-249-434-11	CARBON	27K	5%	1/6W	
R627	1-249-409-11	CARBON	220	5%	1/6W	
R628	1-249-421-11	CARBON	2.2K	5%	1/6W	
R631	1-249-441-11	CARBON	100K	5%	1/6W	
R634	A.1-206-467-00	METAL OXIDE	15	5%	2W	F
R635	1-215-493-00	CARBON	1M	5%	1/6W	
R636	1-249-422-11	CARBON	2.7K	5%	1/6W	
R901	1-249-433-11	CARBON	22K	5%	1/6W	
R902	1-249-441-11	CARBON	100K	5%	1/6W	
R903	1-249-441-11	CARBON	100K	5%	1/6W	
R904	1-249-425-11	CARBON	4.7K	5%	1/6W	
R905	1-249-425-11	CARBON	4.7K	5%	1/6W	
R911	1-249-433-11	CARBON	22K	5%	1/6W	
R912	1-249-441-11	CARBON	100K	5%	1/6W	
R913	1-249-441-11	CARBON	100K	5%	1/6W	
R914	1-249-425-11	CARBON	4.7K	5%	1/6W	
R915	1-249-425-11	CARBON	4.7K	5%	1/6W	
R1000	1-249-406-11	CARBON	120	5%	1/6W	
RV101	1-228-670-00	RES, VAR, SLIDE 20K (REC LEVEL:L)				
RV102	1-230-630-11	RES, ADJ, CARBON 10K				
RV103	1-230-630-11	RES, ADJ, CARBON 10K				
RV104	1-230-630-11	RES, ADJ, CARBON 10K				
RV201	1-228-670-00	RES, VAR, SLIDE 20K (REC LEVEL:R)				
RV202	1-230-630-11	RES, ADJ, CARBON 10K				
RV203	1-230-630-11	RES, ADJ, CARBON 10K				
RV204	1-230-630-11	RES, ADJ, CARBON 10K				
RV501	1-228-995-00	RES, ADJ, CARBON 22K				
RV502	1-228-995-00	RES, ADJ, CARBON 22K				
RV503	1-228-995-00	RES, ADJ, CARBON 22K				
RV504	1-228-995-00	RES, ADJ, CARBON 22K				
RY301	1-515-323-21	(W550:Canadian,AEP)...RELAY				
RY301	1-515-645-11	(W550:US,W551).....RELAY				
S301	1-570-981-11	SWITCH, PUSH (3 KEY)(TAPE SELECT)				
S302	1-570-531-11	SWITCH, PUSH (2 KEY)(DOLBY NR)				
S303	1-570-103-21	SWITCH, PUSH (1 KEY)(POWER)				
S801	1-554-980-11	SWITCH, KEY BOARD (SYNCHRO:NORMAL)				
S802	1-554-980-11	SWITCH, KEY BOARD (SYNCHRO:HIGH)				
S805	1-554-980-11	SWITCH, KEY BOARD (DECK-A:REW)				
S807	1-554-980-11	SWITCH, KEY BOARD (DECK-A:STOP)				
S808	1-554-980-11	SWITCH, KEY BOARD (DECK-A:PLAY)				
S809	1-554-980-11	SWITCH, KEY BOARD (DECK-A:FF)				

The components identified by shading and mark **A** are critical for safety. Replace only with part number specified.

Les composants identifiés par une trame et une marque **A** sont critiques pour la sécurité. Ne les remplacer que par une pièce portant le numéro spécifié.

ELECTRICAL PARTS						
Ref.No.	Part No.	Description				
S810	1-554-980-11	SWITCH, KEY BOARD (DECK-B:REW)				
S812	1-554-980-11	SWITCH, KEY BOARD (DECK-B:STOP)				
S813	1-554-980-11	SWITCH, KEY BOARD (DECK-B:PLAY)				
S814	1-554-980-11	SWITCH, KEY BOARD (DECK-B:FF)				
S815	1-554-980-11	SWITCH, KEY BOARD (DECK-B:REC)				
S816	1-554-980-11	SWITCH, KEY BOARD (DECK-B:PAUSE)				
S817	1-554-980-11	SWITCH, KEY BOARD (DECK-B:REC MUTE)				
S818	1-554-980-11	(W550:US,Canadian,AEP)... SWITCH, KEY BOARD (DECK-A:AMS)				
S901	1-570-720-11	SWITCH, PUSH (1 KEY)(HALF DET)				
S903	1-570-719-11	SWITCH, LEAF (LOADING)				
S951	1-570-720-11	SWITCH, PUSH (1 KEY)(HALFDET)				
S953	1-570-719-11	SWITCH, LEAF (LOADING)				
S954	1-570-720-11	SWITCH PUSH (1 KEY)(ERASE PROOF)				
SPK101	1-235-186-00	ENCAPSULATED COMPONENT				
SPK201	1-235-186-00	ENCAPSULATED COMPONENT				
T301	1-433-309-11	TRANSFORMER, BIAS OSCILLATION				
T901	A.1-448-376-11	(W550:US,Canadian,W551) ...TRANSFORMER, POWER				
T901	A.1-448-376-11	(W550:AEP)...TRANSFORMER, POWER				
X501	1-567-094-00	VIBRATOR, CERAMIC				
X502	1-527-532-00	OSCILLATOR, CERAMIC				

ACCESSORY & PACKING MATERIAL

Part No.	Description
1-558-233-11	CORD (WITH CONNECTOR)(SIRCS)4P
1-558-787-11	CORD, CONNECTION
3-327-651-61	INDIVIDUAL CARTON
3-332-462-01	CUSHION
3-701-630-00	BAG, POLYETHYLENE
3-703-450-01	INSTRUCTION
3-703-710-41	STICKER, SONY SYMBOL (12)
3-703-713-41	STICKER, SONY SYMBOL (10)
*3-703-978-01	LABEL (A), FIRE CAUTION
3-765-917-21	MANUAL, INSTRUCTION
4-858-078-00	SHEET, PROTECTION

The components identified by shading and mark **A** are critical for safety. Replace only with part number specified.

Les composants identifiés par une trame et une marque **A** sont critiques pour la sécurité. Ne les remplacer que par une pièce portant le numéro spécifié.

SECTION 8
TROUBLESHOOTING

The following troubleshooting will help you correct the most common problems encountered with a tape deck. Should any problem persists after you have made these checks, consult your nearest Sony service facility.

Before proceeding with these trouble checks, first check these basic points:

- The power cord must be firmly connected.
- Amplifier connections must be firmly made.
- Heads, capstans and pinch rollers should be clean.
- The amplifier controls and switches should be set correctly.

	Trouble	Cause and remedy
TAPE OPERATION BUTTONS AND TAPE TRANSPORT	The tape does not run when the operation button is pressed.	The unit does not work for about two seconds after the power is turned on. → Wait until the indicator goes off.
		The cassette is not properly inserted.
		The cassette holder is not properly closed.
		The button is pressed. → Press the button again to release the pause mode.
	The transport noise seems excessively loud at the fast winding mode.	No trouble. This situation depends upon the cassette used.
RECORDING AND PLAYBACK	The automatic shut-off mechanism activates before the tape ends.	The cassette has tape slack.
		The cassette is defective.
	The ● button does not activates.	No cassette is in the holder.
		The cassette tab has removed. → Cover the hole with plastic tape.
	The AMS function does not operate.	A blank space is too short (less than 4 seconds). → Insert over 4-second blank with the record muting button.
There is noise in the blank space between selections.		
NOISE	Playback cannot be heard, recording cannot be made, or the sound level decreases.	The heads are dirty.
		The connections are not made properly.
		The amplifier input selector is not set to the correct position.
	Excessive wow and flutter or drop out	The heads, capstans or pinch rollers are dirty.
	Incomplete erasure	The erase head is dirty.
NOISE	Noise or erasure occurs.	Magnetic build-up on the head. → Demagnetize the head.
	Unbalanced tone in higher frequencies.	The DOLBY NR switch is not set to the correct position. → During playback, set the switch to the same position used when the cassette was recorded.
		The unit is placed near a television set.
NOISE	A hum is heard.	The unit is placed directly on or under the amplifier. → Move the unit away from the amplifier.
	Noise is recorded.	Recording is made near a television set or a color monitor. → Move the unit away from the television set or color monitor.